

NOTE:
 CORNER BLOCK SIZE CHANGES
 EACH 914mm VERTICALLY


STONE STRONG OUTSIDE CORNER BLOCK ASSEMBLY

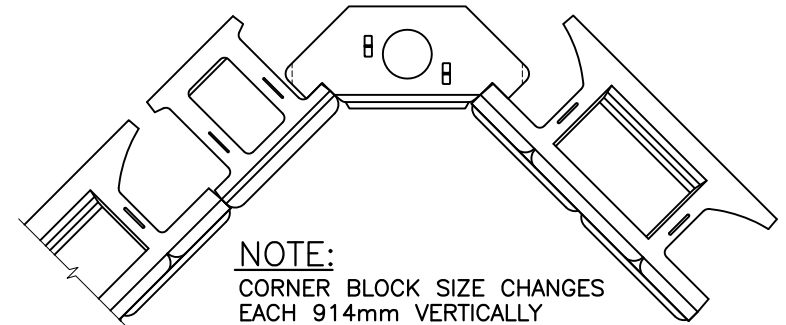
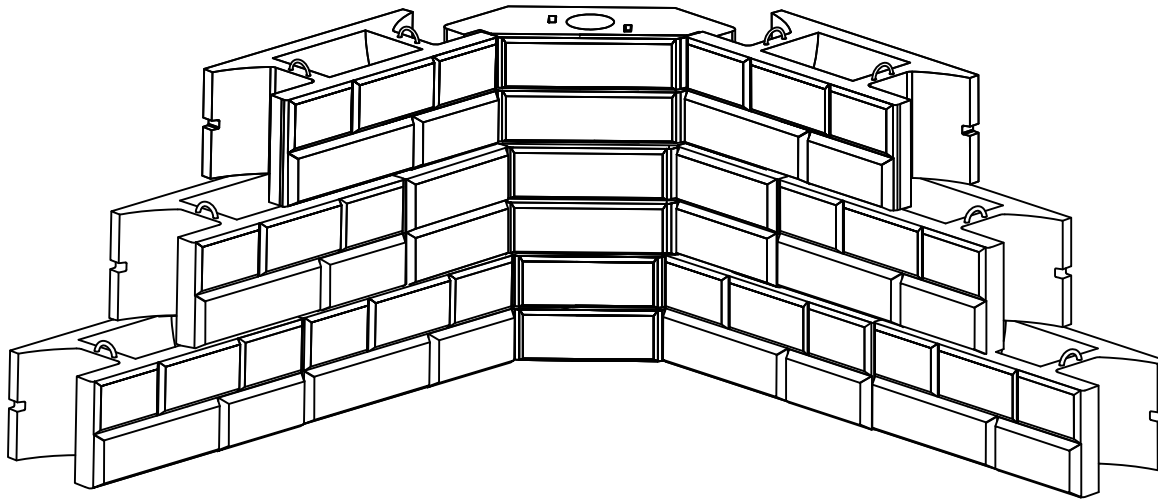
NOT TO SCALE

DISCLAIMER:

These typical details are preliminary and conceptual in nature. They are provided for general information purposes only. Anyone making use of these details and related information does so at their own risk and assumes all liability for such use. Site specific design should be performed by a licensed Professional Engineer based on actual site conditions, materials, and local practices.

Stone Strong LLC retains all common law, statutory, and other reserved rights to these drawings including the copyright. Limited license is granted to copy, reproduce, or modify the details to prepare construction drawings for Stone Strong retaining walls. Stone Strong LLC makes no warranties, either expressed or implied, of merchantability or fitness for any particular purpose, and accepts no responsibility for the accuracy, suitability, or completeness of information contained herein.

 www.stonestrong.com	PROJECT
	CORNER DETAILS STONE STRONG SYSTEMS
	DATE: 6/29/18 FILE: 01_Corner Outside



STONE STRONG INSIDE CORNER BLOCK ASSEMBLY

NOT TO SCALE

DISCLAIMER:

These typical details are preliminary and conceptual in nature. They are provided for general information purposes only. Anyone making use of these details and related information does so at their own risk and assumes all liability for such use. Site specific design should be performed by a licensed Professional Engineer based on actual site conditions, materials, and local practices.

Stone Strong LLC retains all common law, statutory, and other reserved rights to these drawings including the copyright. Limited license is granted to copy, reproduce, or modify the details to prepare construction drawings for Stone Strong retaining walls. Stone Strong LLC makes no warranties, either expressed or implied, of merchantability or fitness for any particular purpose, and accepts no responsibility for the accuracy, suitability, or completeness of information contained herein.



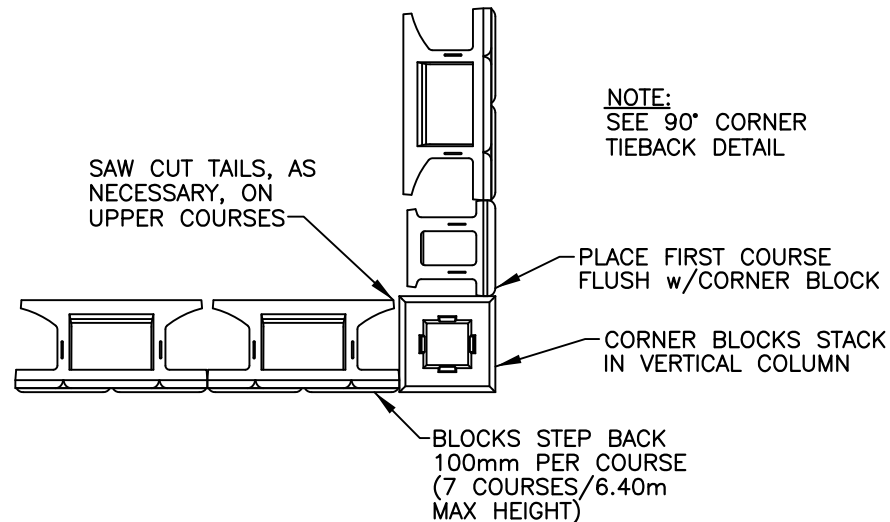
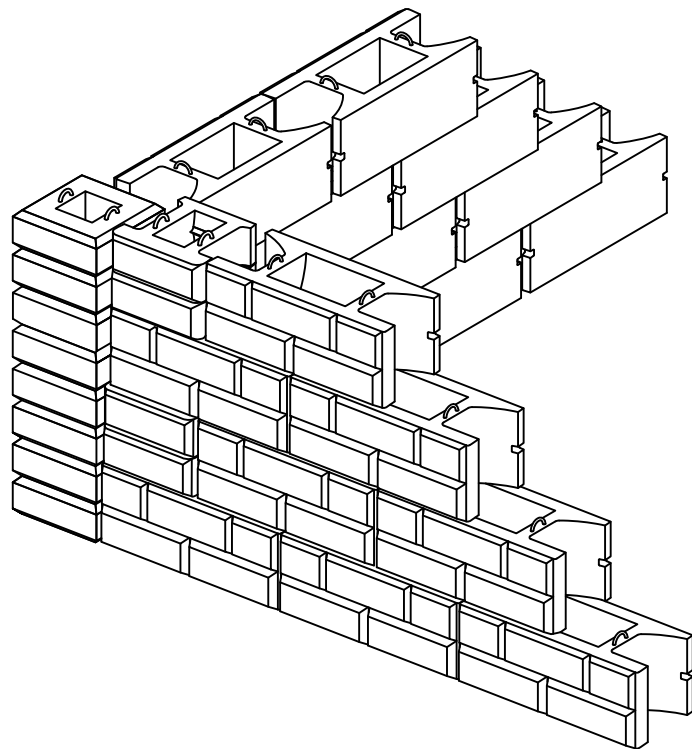
www.stonestrong.com

PROJECT

CORNER DETAILS
STONE STRONG SYSTEMS

DATE: 6/29/18

FILE: 02_Corner Inside



OUTSIDE 90° CORNER
NOT TO SCALE

CHECK ON AVAILABILITY OF ALL UNITS w/ LOCAL PRODUCER/
DEALER. SOME UNITS MAY HAVE LIMITED AVAILABILITY.

DISCLAIMER:

These typical details are preliminary and conceptual in nature. They are provided for general information purposes only. Anyone making use of these details and related information does so at their own risk and assumes all liability for such use. Site specific design should be performed by a licensed Professional Engineer based on actual site conditions, materials, and local practices.

Stone Strong LLC retains all common law, statutory, and other reserved rights to these drawings including the copyright. Limited license is granted to copy, reproduce, or modify the details to prepare construction drawings for Stone Strong retaining walls. Stone Strong LLC makes no warranties, either expressed or implied, of merchantability or fitness for any particular purpose, and accepts no responsibility for the accuracy, suitability, or completeness of information contained herein.



www.stonestrong.com

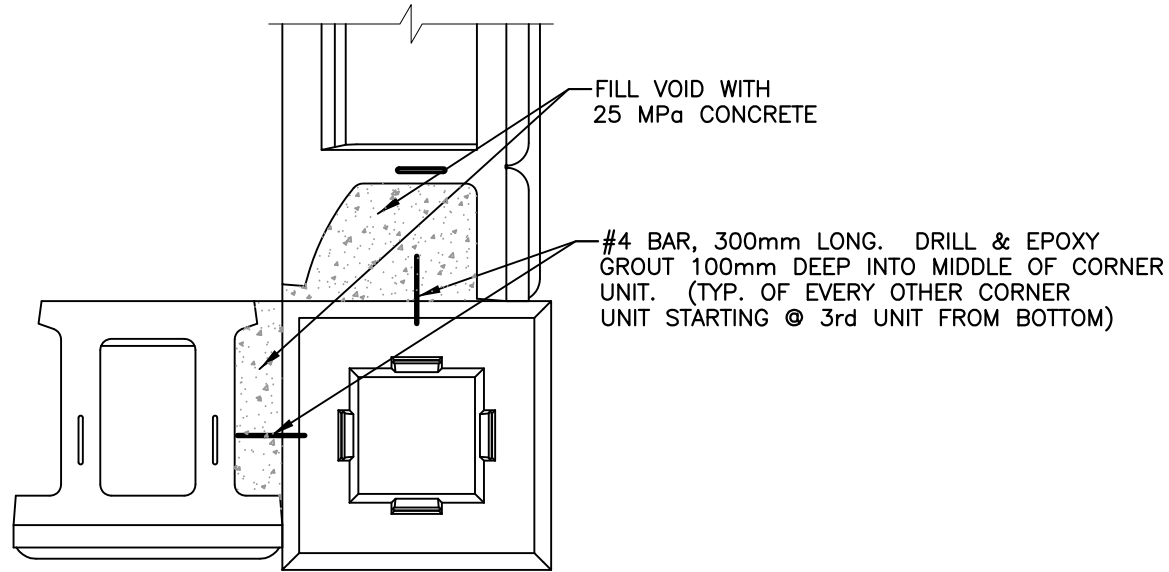
PROJECT

CORNER DETAILS
STONE STRONG SYSTEMS

DATE: 6/29/18 FILE: 03_90.OC

NOTE:

RECOMMENDED FOR CORNERS 3.66m AND TALLER.
INSTALL TIEBACK EVERY 0.91m VERTICALLY STARTING
AT 0.91m ABOVE THE BASE.



90° CORNER TIEBACK

NOT TO SCALE

CHECK ON AVAILABILITY OF ALL UNITS w/ LOCAL PRODUCER/
DEALER. SOME UNITS MAY HAVE LIMITED AVAILABILITY.

DISCLAIMER:

These typical details are preliminary and conceptual in nature. They are provided for general information purposes only. Anyone making use of these details and related information does so at their own risk and assumes all liability for such use. Site specific design should be performed by a licensed Professional Engineer based on actual site conditions, materials, and local practices.

Stone Strong LLC retains all common law, statutory, and other reserved rights to these drawings including the copyright. Limited license is granted to copy, reproduce, or modify the details to prepare construction drawings for Stone Strong retaining walls. Stone Strong LLC makes no warranties, either expressed or implied, of merchantability or fitness for any particular purpose, and accepts no responsibility for the accuracy, suitability, or completeness of information contained herein.



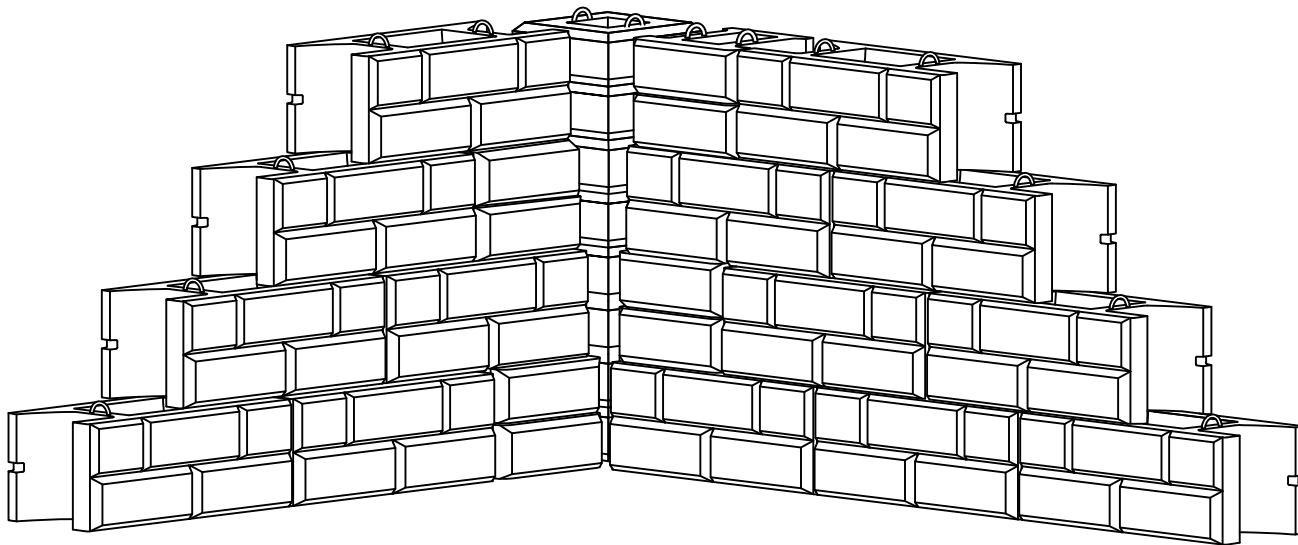
www.stonestrong.com

PROJECT

CORNER DETAILS
STONE STRONG SYSTEMS

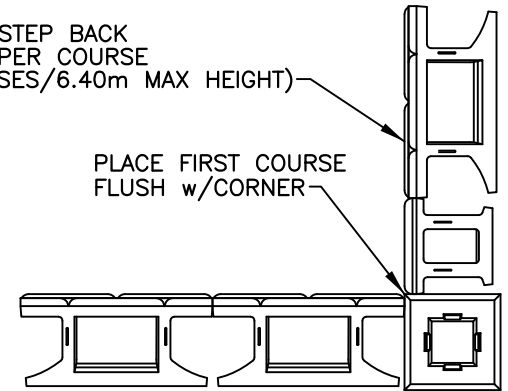
DATE: 6/29/18

FILE: 04_Tieback.90



BLOCKS STEP BACK
100mm PER COURSE
(7 COURSES/6.40m MAX HEIGHT)

PLACE FIRST COURSE
FLUSH w/CORNER



INSIDE 90° CORNER
NOT TO SCALE

CHECK ON AVAILABILITY OF ALL UNITS w/ LOCAL PRODUCER/
DEALER. SOME UNITS MAY HAVE LIMITED AVAILABILITY.

DISCLAIMER:

These typical details are preliminary and conceptual in nature. They are provided for general information purposes only. Anyone making use of these details and related information does so at their own risk and assumes all liability for such use. Site specific design should be performed by a licensed Professional Engineer based on actual site conditions, materials, and local practices.

Stone Strong LLC retains all common law, statutory, and other reserved rights to these drawings including the copyright. Limited license is granted to copy, reproduce, or modify the details to prepare construction drawings for Stone Strong retaining walls. Stone Strong LLC makes no warranties, either expressed or implied, of merchantability or fitness for any particular purpose, and accepts no responsibility for the accuracy, suitability, or completeness of information contained herein.

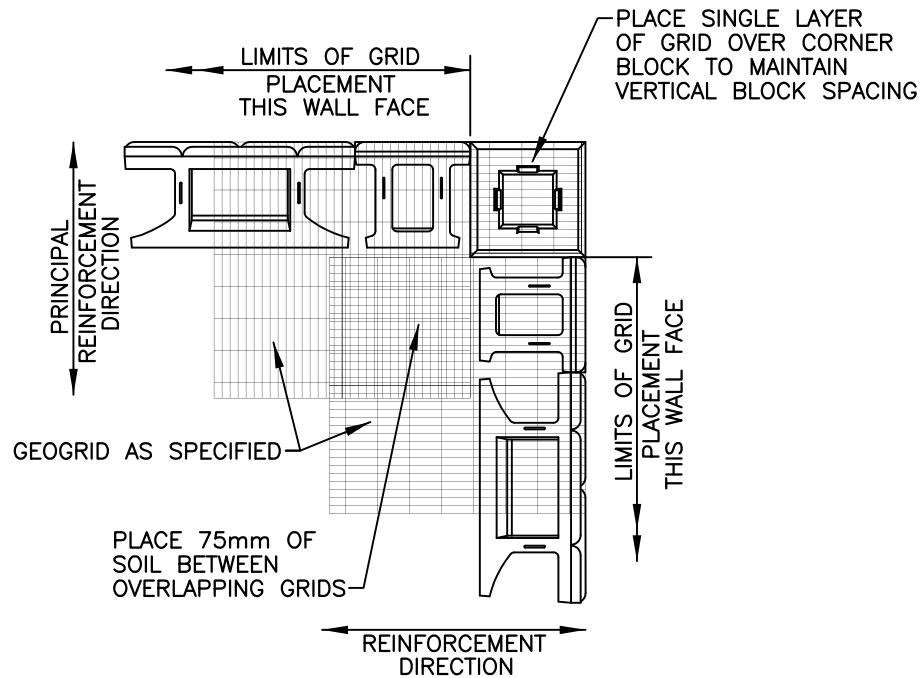


www.stonestrong.com

PROJECT

CORNER DETAILS
STONE STRONG SYSTEMS

DATE: 6/29/18 | FILE: 05_90.IC



GRID PLACEMENT OUTSIDE CORNER

NOT TO SCALE

CHECK ON AVAILABILITY OF ALL UNITS w/ LOCAL PRODUCER/
DEALER. SOME UNITS MAY HAVE LIMITED AVAILABILITY.

DISCLAIMER:

These typical details are preliminary and conceptual in nature. They are provided for general information purposes only. Anyone making use of these details and related information does so at their own risk and assumes all liability for such use. Site specific design should be performed by a licensed Professional Engineer based on actual site conditions, materials, and local practices.

Stone Strong LLC retains all common law, statutory, and other reserved rights to these drawings including the copyright. Limited license is granted to copy, reproduce, or modify the details to prepare construction drawings for Stone Strong retaining walls. Stone Strong LLC makes no warranties, either expressed or implied, of merchantability or fitness for any particular purpose, and accepts no responsibility for the accuracy, suitability, or completeness of information contained herein.

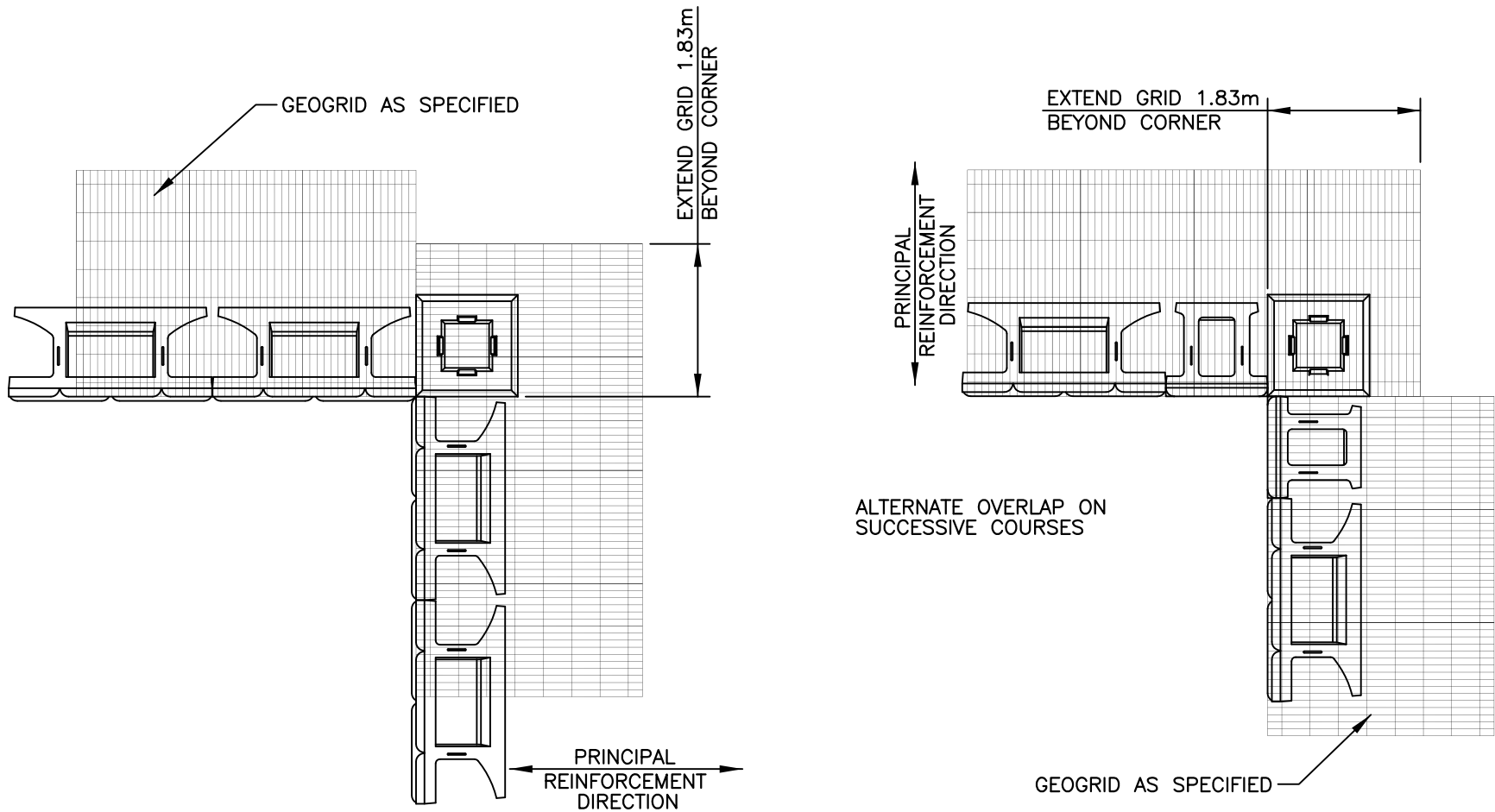


www.stonestrong.com

PROJECT

CORNER DETAILS
STONE STRONG SYSTEMS

DATE: 6/29/18 | FILE: 06_Grid.OC



GRID PLACEMENT INSIDE CORNER

NOT TO SCALE

CHECK ON AVAILABILITY OF ALL UNITS w/ LOCAL PRODUCER/ DEALER. SOME UNITS MAY HAVE LIMITED AVAILABILITY.

DISCLAIMER:

These typical details are preliminary and conceptual in nature. They are provided for general information purposes only. Anyone making use of these details and related information does so at their own risk and assumes all liability for such use. Site specific design should be performed by a licensed Professional Engineer based on actual site conditions, materials, and local practices.

Stone Strong LLC retains all common law, statutory, and other reserved rights to these drawings including the copyright. Limited license is granted to copy, reproduce, or modify the details to prepare construction drawings for Stone Strong retaining walls. Stone Strong LLC makes no warranties, either expressed or implied, of merchantability or fitness for any particular purpose, and accepts no responsibility for the accuracy, suitability, or completeness of information contained herein.

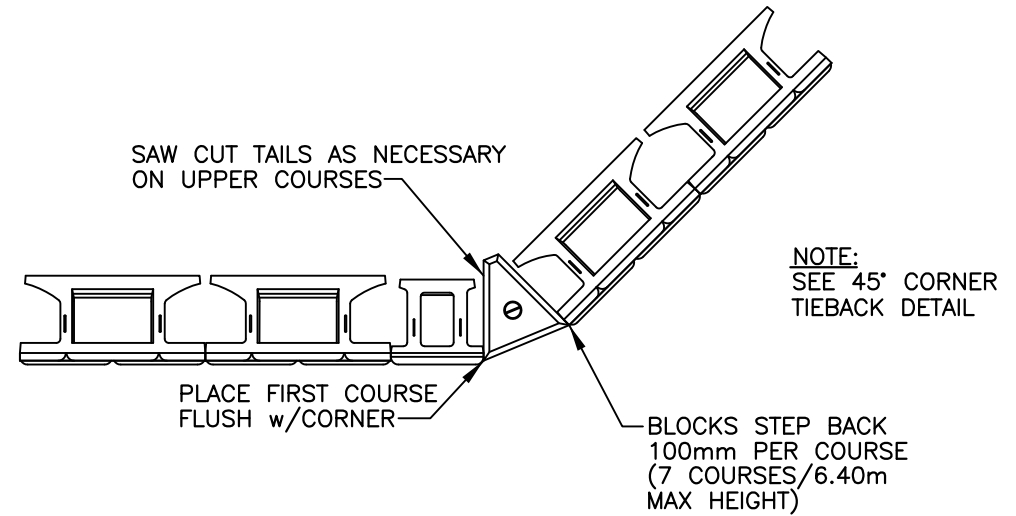
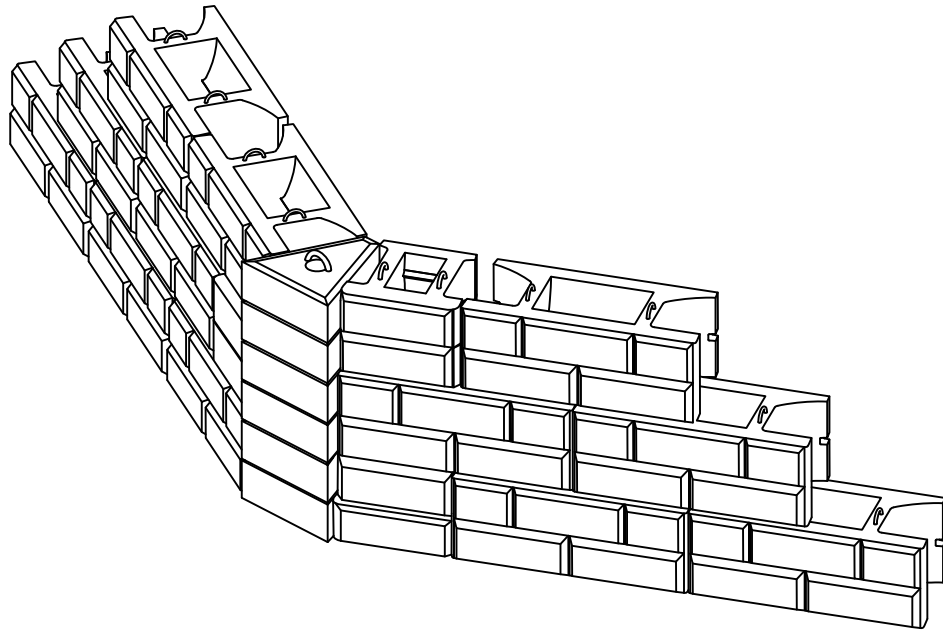


www.stonestrong.com

PROJECT

CORNER DETAILS
STONE STRONG SYSTEMS

DATE: 6/29/18 | FILE: 07_Grid.IC



OUTSIDE 45° CORNER
NOT TO SCALE

CHECK ON AVAILABILITY OF ALL UNITS w/ LOCAL PRODUCER/ DEALER. SOME UNITS MAY HAVE LIMITED AVAILABILITY.

DISCLAIMER:

These typical details are preliminary and conceptual in nature. They are provided for general information purposes only. Anyone making use of these details and related information does so at their own risk and assumes all liability for such use. Site specific design should be performed by a licensed Professional Engineer based on actual site conditions, materials, and local practices.

Stone Strong LLC retains all common law, statutory, and other reserved rights to these drawings including the copyright. Limited license is granted to copy, reproduce, or modify the details to prepare construction drawings for Stone Strong retaining walls. Stone Strong LLC makes no warranties, either expressed or implied, of merchantability or fitness for any particular purpose, and accepts no responsibility for the accuracy, suitability, or completeness of information contained herein.



www.stonestrong.com

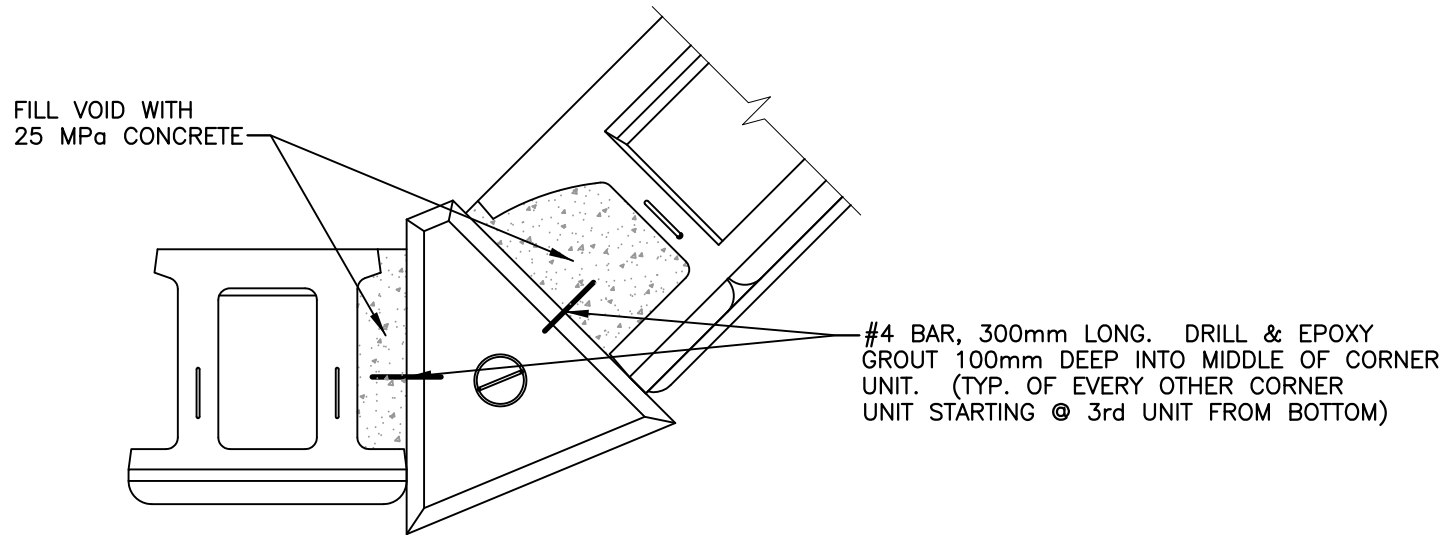
PROJECT

CORNER DETAILS
STONE STRONG SYSTEMS

DATE: 6/29/18 | FILE: 08_45.OC

NOTE:

RECOMMENDED FOR CORNERS 3.66m AND TALLER.
INSTALL TIEBACK EVERY 0.91m VERTICALLY STARTING
AT 0.91m ABOVE THE BASE.



45° CORNER TIEBACK

NOT TO SCALE

CHECK ON AVAILABILITY OF ALL UNITS w/ LOCAL PRODUCER/
DEALER. SOME UNITS MAY HAVE LIMITED AVAILABILITY.

DISCLAIMER:

These typical details are preliminary and conceptual in nature. They are provided for general information purposes only. Anyone making use of these details and related information does so at their own risk and assumes all liability for such use. Site specific design should be performed by a licensed Professional Engineer based on actual site conditions, materials, and local practices.

Stone Strong LLC retains all common law, statutory, and other reserved rights to these drawings including the copyright. Limited license is granted to copy, reproduce, or modify the details to prepare construction drawings for Stone Strong retaining walls. Stone Strong LLC makes no warranties, either expressed or implied, of merchantability or fitness for any particular purpose, and accepts no responsibility for the accuracy, suitability, or completeness of information contained herein.

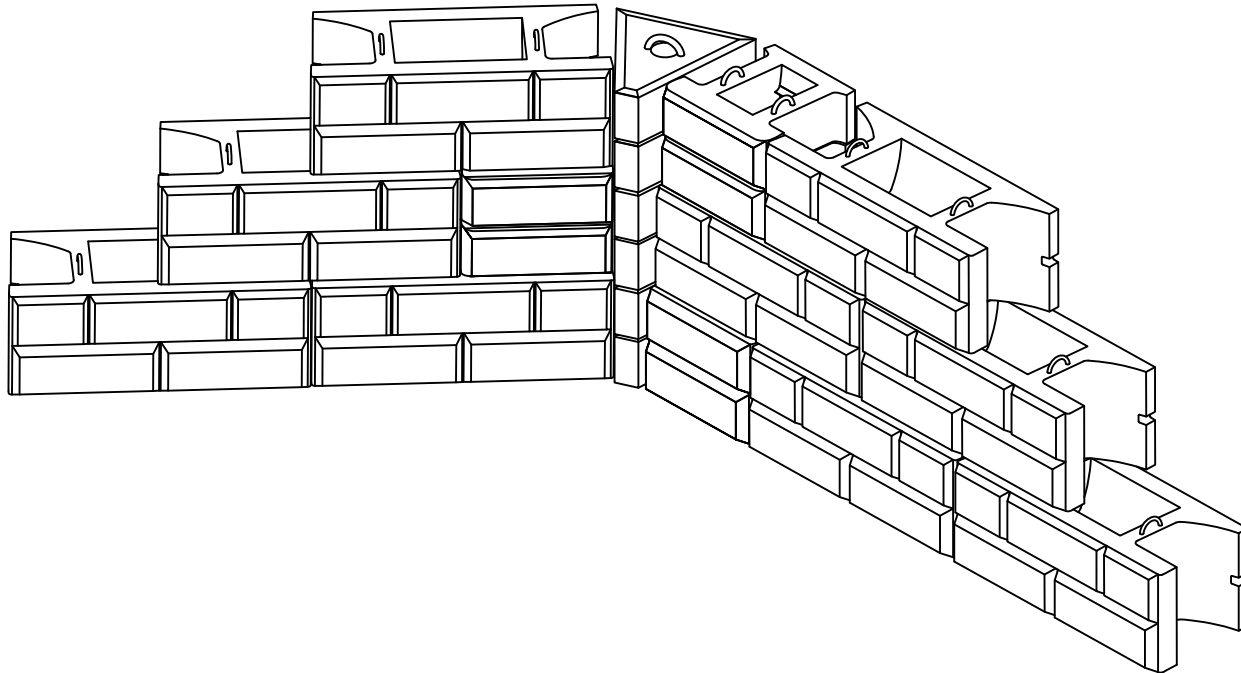


www.stonestrong.com

PROJECT

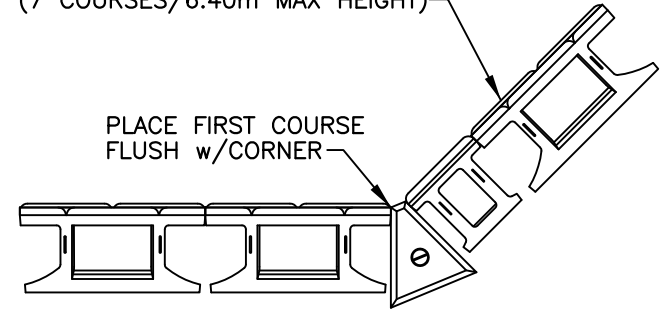
CORNER DETAILS
STONE STRONG SYSTEMS

DATE: 6/29/18 | FILE: 09_Tieback.45



BLOCKS STEP BACK
100mm PER COURSE
(7 COURSES/6.40m MAX HEIGHT)

PLACE FIRST COURSE
FLUSH w/CORNER



INSIDE 45° CORNER

NOT TO SCALE

CHECK ON AVAILABILITY OF ALL UNITS w/ LOCAL PRODUCER/
DEALER. SOME UNITS MAY HAVE LIMITED AVAILABILITY.

DISCLAIMER:

These typical details are preliminary and conceptual in nature. They are provided for general information purposes only. Anyone making use of these details and related information does so at their own risk and assumes all liability for such use. Site specific design should be performed by a licensed Professional Engineer based on actual site conditions, materials, and local practices.

Stone Strong LLC retains all common law, statutory, and other reserved rights to these drawings including the copyright. Limited license is granted to copy, reproduce, or modify the details to prepare construction drawings for Stone Strong retaining walls. Stone Strong LLC makes no warranties, either expressed or implied, of merchantability or fitness for any particular purpose, and accepts no responsibility for the accuracy, suitability, or completeness of information contained herein.

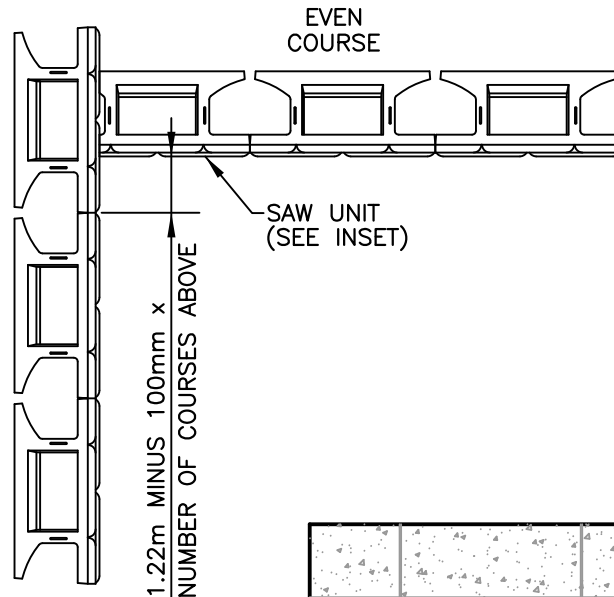
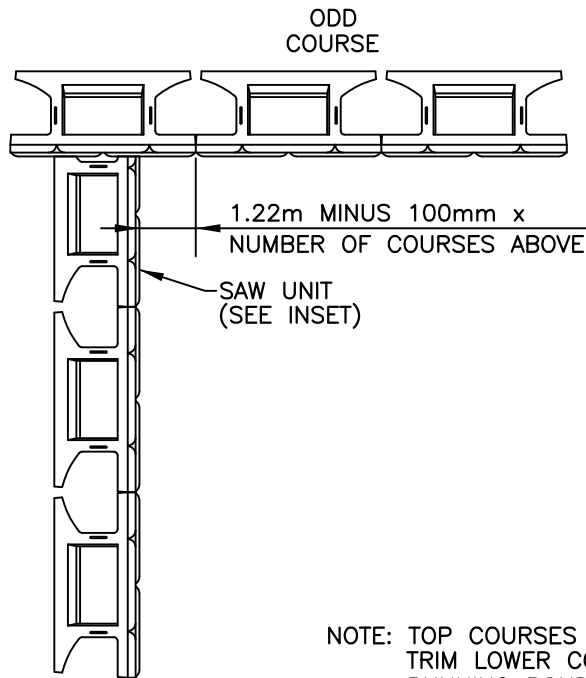


www.stonestrong.com

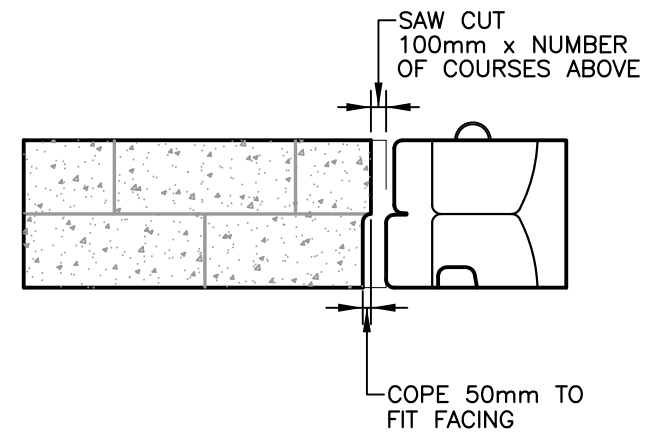
PROJECT

CORNER DETAILS
STONE STRONG SYSTEMS

DATE: 6/29/18 | FILE: 10_45.IC



NOTE: TOP COURSES WILL USE FULL BLOCKS.
 TRIM LOWER COURSES TO MAINTAIN
 RUNNING BOND, EXCEPT AS NOTED
 ON LAYOUT DRAWING.




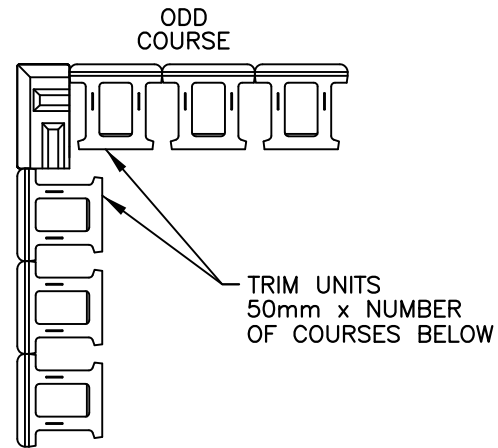
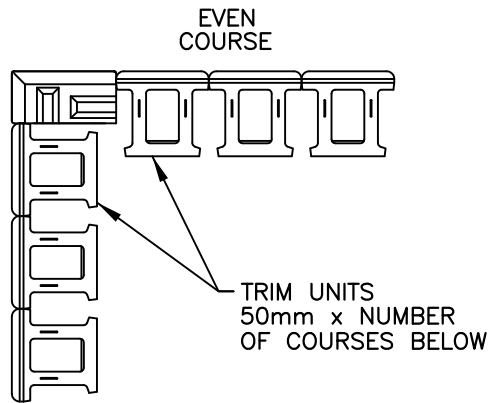
24SF LACED INSIDE CORNER

NOT TO SCALE

DISCLAIMER:
 These typical details are preliminary and conceptual in nature. They are provided for general information purposes only. Anyone making use of these details and related information does so at their own risk and assumes all liability for such use. Site specific design should be performed by a licensed Professional Engineer based on actual site conditions, materials, and local practices.

Stone Strong LLC retains all common law, statutory, and other reserved rights to these drawings including the copyright. Limited license is granted to copy, reproduce, or modify the details to prepare construction drawings for Stone Strong retaining walls. Stone Strong LLC makes no warranties, either expressed or implied, of merchantability or fitness for any particular purpose, and accepts no responsibility for the accuracy, suitability, or completeness of information contained herein.

 www.stonestrong.com	PROJECT
	CORNER DETAILS STONE STRONG SYSTEMS
	DATE: 6/29/18 FILE: 11_24sf.LIC



NOTE: USE FULL BLOCKS FIRST COURSE.
TRIM SUBSEQUENT COURSES TO
MAINTAIN RUNNING BOND, EXCEPT
AS NOTED ON LAYOUT DRAWING.

CAST SLEEVE FOR FENCE POST
IN TOP CORNER BLOCK.

6SF LACED OUTSIDE CORNER

NOT TO SCALE

DISCLAIMER:

These typical details are preliminary and conceptual in nature. They are provided for general information purposes only. Anyone making use of these details and related information does so at their own risk and assumes all liability for such use. Site specific design should be performed by a licensed Professional Engineer based on actual site conditions, materials, and local practices.

Stone Strong LLC retains all common law, statutory, and other reserved rights to these drawings including the copyright. Limited license is granted to copy, reproduce, or modify the details to prepare construction drawings for Stone Strong retaining walls. Stone Strong LLC makes no warranties, either expressed or implied, of merchantability or fitness for any particular purpose, and accepts no responsibility for the accuracy, suitability, or completeness of information contained herein.

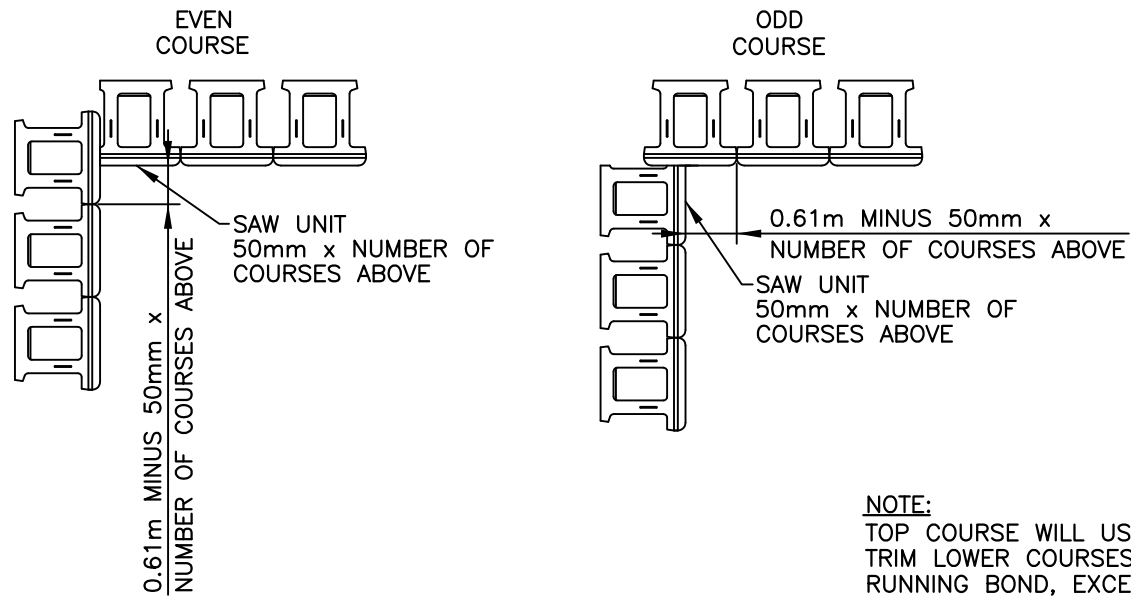


www.stonestrong.com

PROJECT

CORNER DETAILS
STONE STRONG SYSTEMS

DATE: 6/29/18 | FILE: 12_6sf.LOC




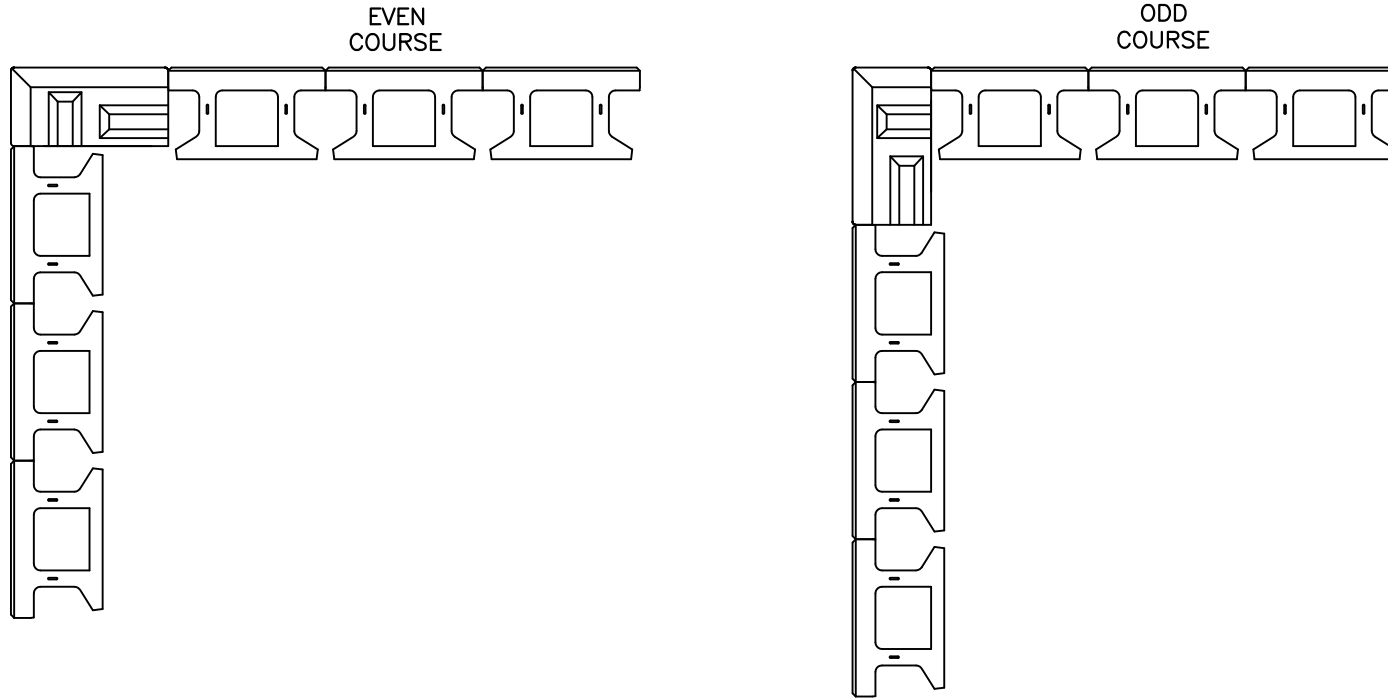
NOTE:
TOP COURSE WILL USE FULL BLOCKS.
TRIM LOWER COURSES TO MAINTAIN
RUNNING BOND, EXCEPT AS NOTED
ON LAYOUT DRAWING.

6SF LACED INSIDE CORNER
NOT TO SCALE

DISCLAIMER:
These typical details are preliminary and conceptual in nature. They are provided for general information purposes only. Anyone making use of these details and related information does so at their own risk and assumes all liability for such use. Site specific design should be performed by a licensed Professional Engineer based on actual site conditions, materials, and local practices.

Stone Strong LLC retains all common law, statutory, and other reserved rights to these drawings including the copyright. Limited license is granted to copy, reproduce, or modify the details to prepare construction drawings for Stone Strong retaining walls. Stone Strong LLC makes no warranties, either expressed or implied, of merchantability or fitness for any particular purpose, and accepts no responsibility for the accuracy, suitability, or completeness of information contained herein.

 www.stonestrong.com	PROJECT
	CORNER DETAILS STONE STRONG SYSTEMS
	DATE: 6/29/18 FILE: 13_6sf.LIC



NOTE:
 IN A BATTERED WALL, UNITS WILL BE
 SET 50mm OFF OF RUNNING BOND.
 CAST SLEEVE FOR FENCE POST
 IN TOP CORNER BLOCK, IF REQUIRED.

6-28 LACED OUTSIDE CORNER
 NOT TO SCALE

CHECK ON AVAILABILITY OF ALL UNITS w/ LOCAL PRODUCER/
 DEALER. SOME UNITS MAY HAVE LIMITED AVAILABILITY.

DISCLAIMER:
 These typical details are preliminary and conceptual in nature. They are provided for general information purposes only. Anyone making use of these details and related information does so at their own risk and assumes all liability for such use. Site specific design should be performed by a licensed Professional Engineer based on actual site conditions, materials, and local practices.

Stone Strong LLC retains all common law, statutory, and other reserved rights to these drawings including the copyright. Limited license is granted to copy, reproduce, or modify the details to prepare construction drawings for Stone Strong retaining walls. Stone Strong LLC makes no warranties, either expressed or implied, of merchantability or fitness for any particular purpose, and accepts no responsibility for the accuracy, suitability, or completeness of information contained herein.

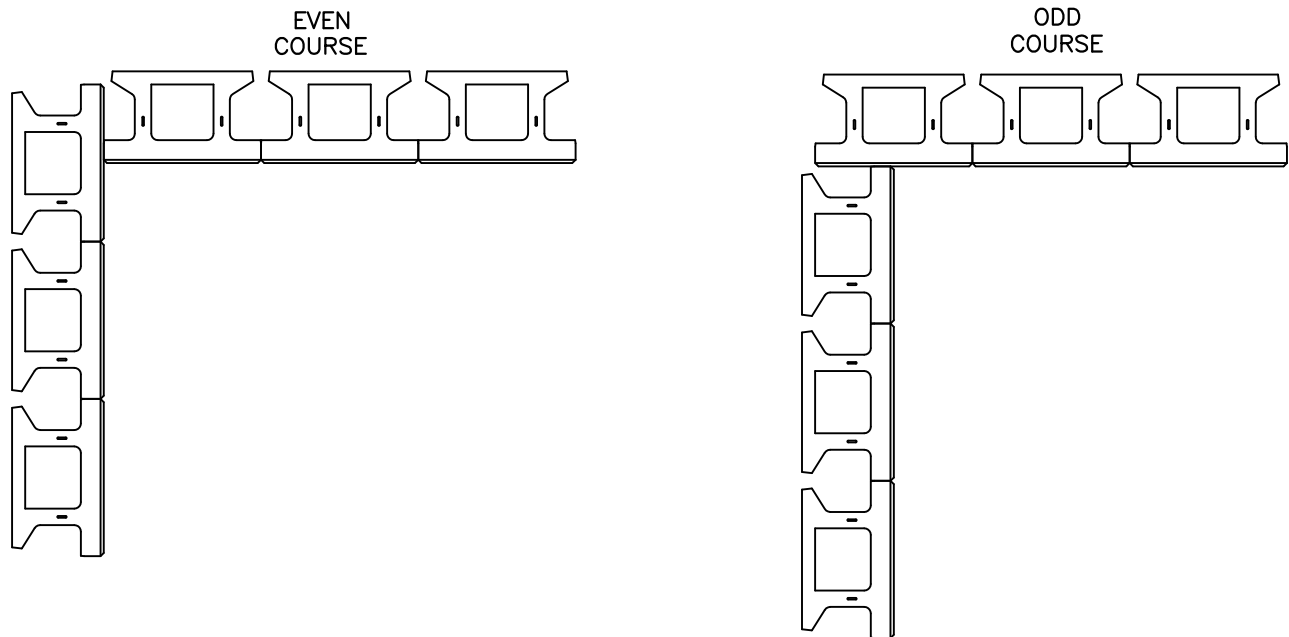


www.stonestrong.com

PROJECT

CORNER DETAILS
 STONE STRONG SYSTEMS

DATE: 6/29/18 | FILE: 14_6-28.LOC




NOTE:
 IN A BATTERED WALL, UNITS WILL BE
 SET 50mm OFF OF RUNNING BOND.

6-28 LACED INSIDE CORNER
 NOT TO SCALE

CHECK ON AVAILABILITY OF ALL UNITS w/ LOCAL PRODUCER/
 DEALER. SOME UNITS MAY HAVE LIMITED AVAILABILITY.

DISCLAIMER:
 These typical details are preliminary and conceptual in nature. They are provided for general information purposes only. Anyone making use of these details and related information does so at their own risk and assumes all liability for such use. Site specific design should be performed by a licensed Professional Engineer based on actual site conditions, materials, and local practices.

Stone Strong LLC retains all common law, statutory, and other reserved rights to these drawings including the copyright. Limited license is granted to copy, reproduce, or modify the details to prepare construction drawings for Stone Strong retaining walls. Stone Strong LLC makes no warranties, either expressed or implied, of merchantability or fitness for any particular purpose, and accepts no responsibility for the accuracy, suitability, or completeness of information contained herein.

 www.stonestrong.com	PROJECT
	CORNER DETAILS STONE STRONG SYSTEMS
DATE: 6/29/18 FILE: 15_6-28.LIC	