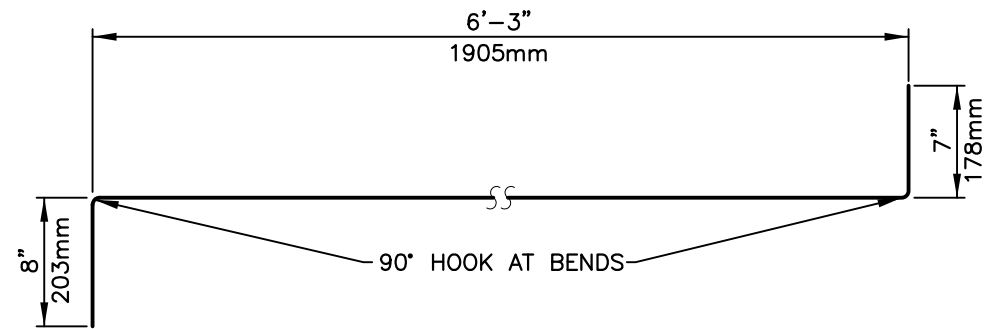
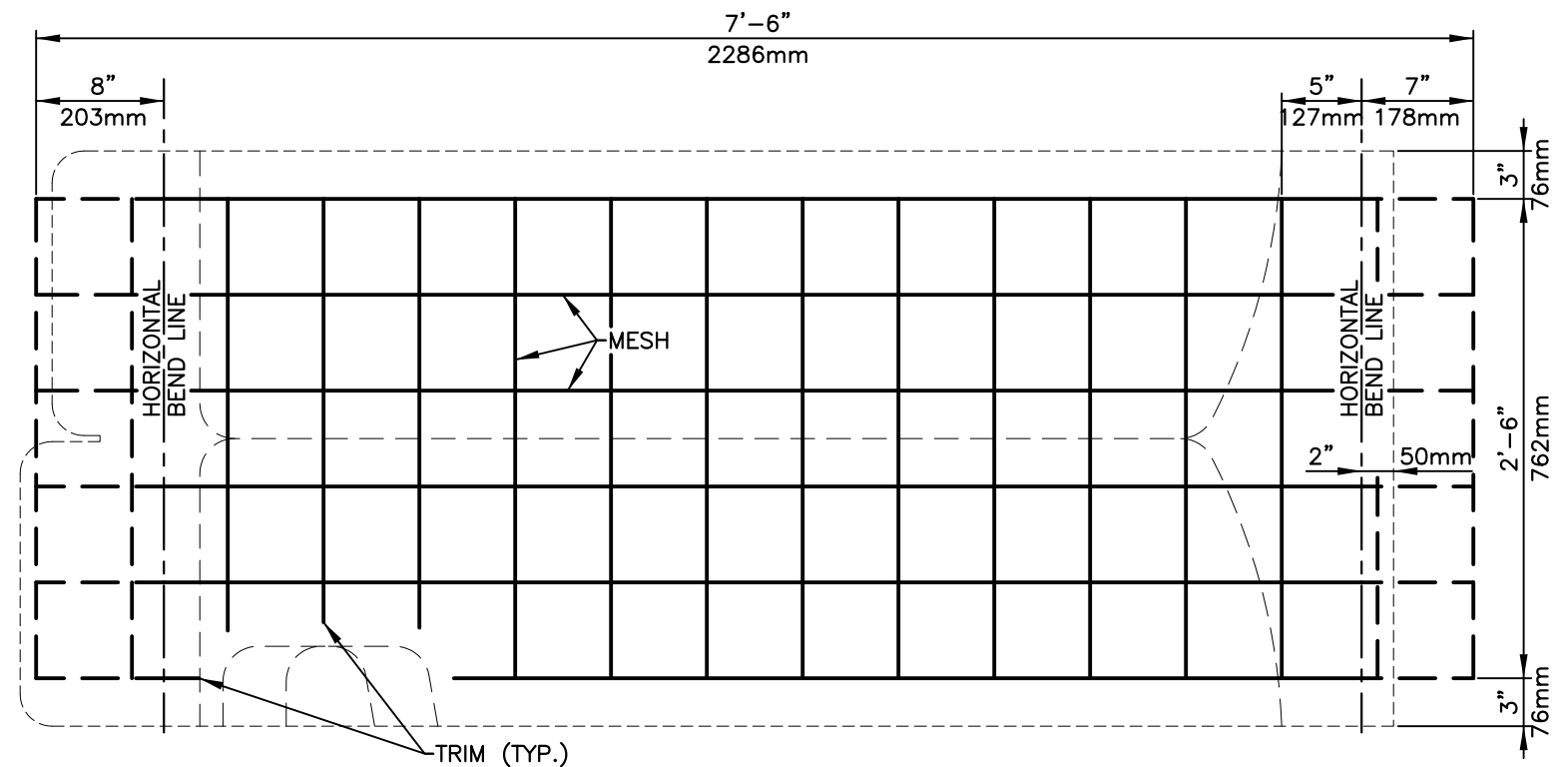


NOTES:

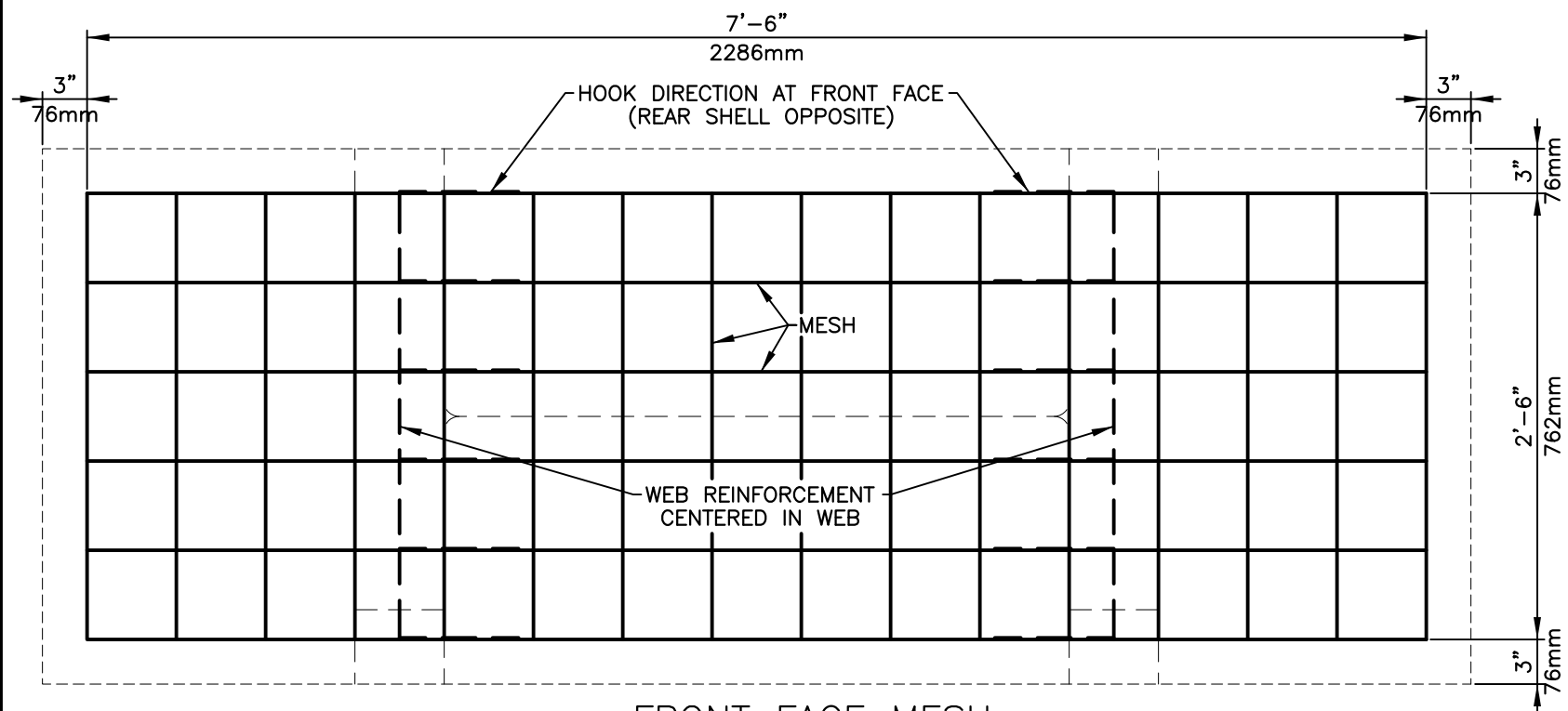
1. ALL MESH SHALL BE W8xW8-6x6 WWF PER ASTM A185/A497/A1064, GRADE 65 U.N.O.
2. USE IN ALL 24-86 UNITS.



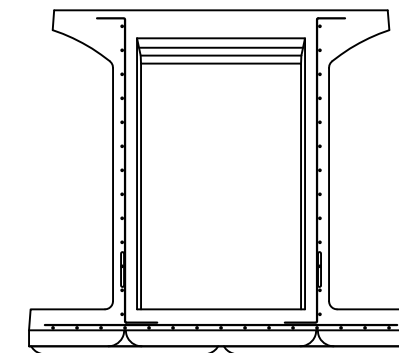
BENT WEB MESH - PLAN VIEW



BENT WEB MESH (2 REQUIRED)



FRONT FACE MESH




24-86 UNIT (24-86) - MESH OPTION

NOT TO SCALE

DISCLAIMER:

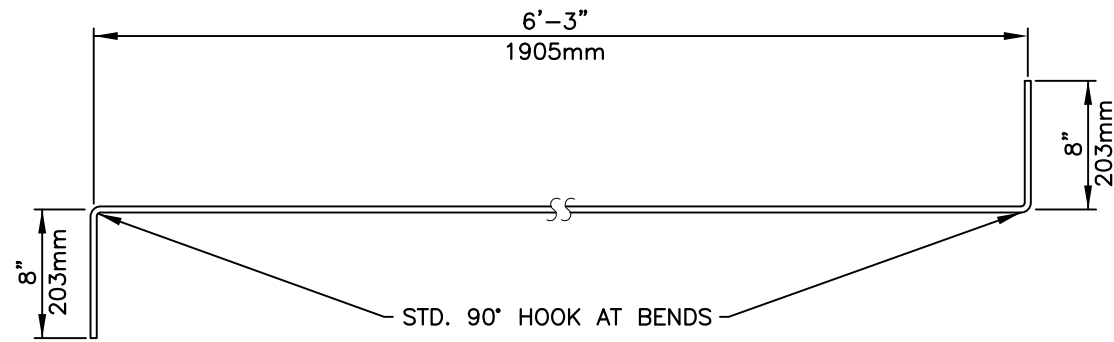
These typical details are preliminary and conceptual in nature. They are provided for general information purposes only. Anyone making use of these details and related information does so at their own risk and assumes all liability for such use. Site specific design should be performed by a licensed Professional Engineer who is familiar with the actual site conditions, materials, and local practices.

Thiele Geotech, Inc. and Stone Strong LLC are the authors of these drawings and retain all common law, statutory, and other reserved rights including the copyright. Limited license is granted to copy, reproduce, or modify the details to prepare construction drawings for Stone Strong retaining walls. Thiele Geotech, Inc. and Stone Strong LLC make no warranties, either expressed or implied, of merchantability or fitness for any particular purpose, and accept no responsibility for the accuracy, suitability, or completeness of information contained herein.

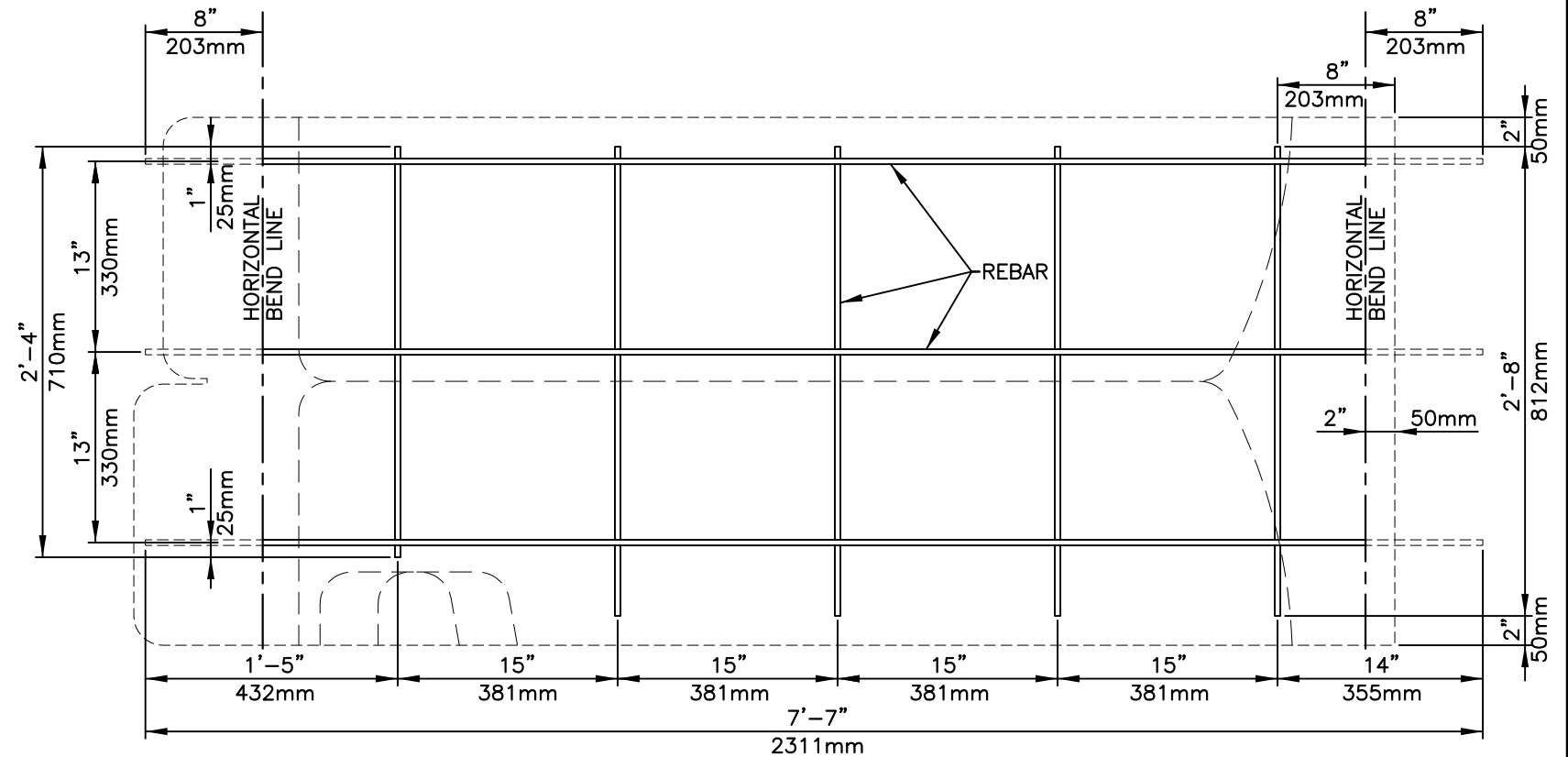
 www.stonestrong.com	PROJECT REINFORCING DETAILS STONE STRONG SYSTEMS
	DATE: 6/29/18 FILE: 01_24-86 Mesh

NOTES:

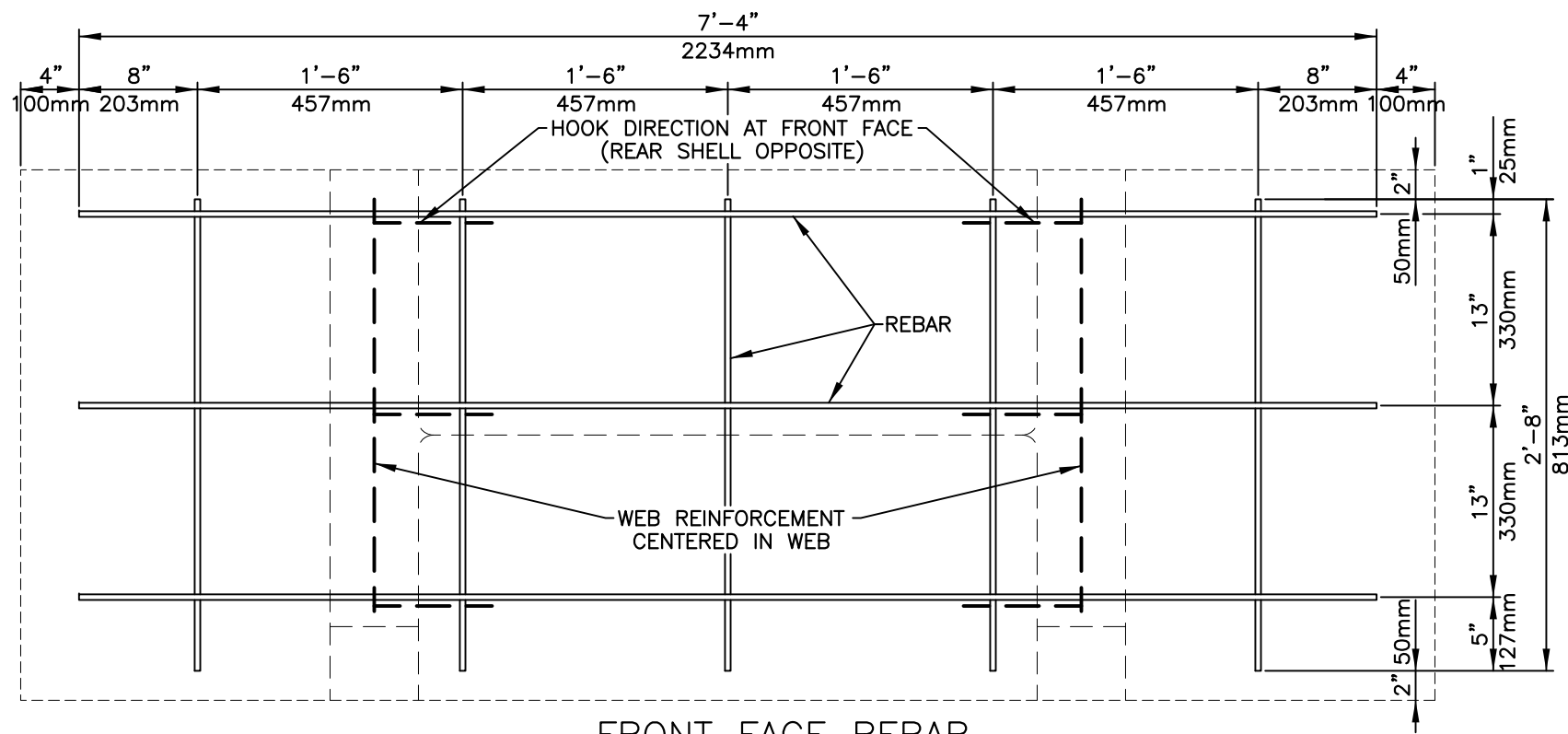
1. ALL STEEL SHALL BE #4 BARS, GRADE 60, U.N.O.
2. USE IN ALL 24-86 UNITS.



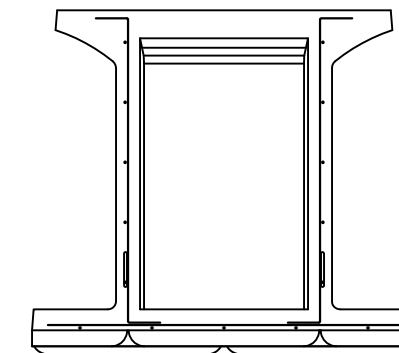
BENT WEB REBAR – PLAN VIEW



BENT WEB REBAR (2 REQUIRED)



FRONT FACE REBAR




24-86 UNIT (24-86) – REBAR OPTION

NOT TO SCALE

DISCLAIMER:

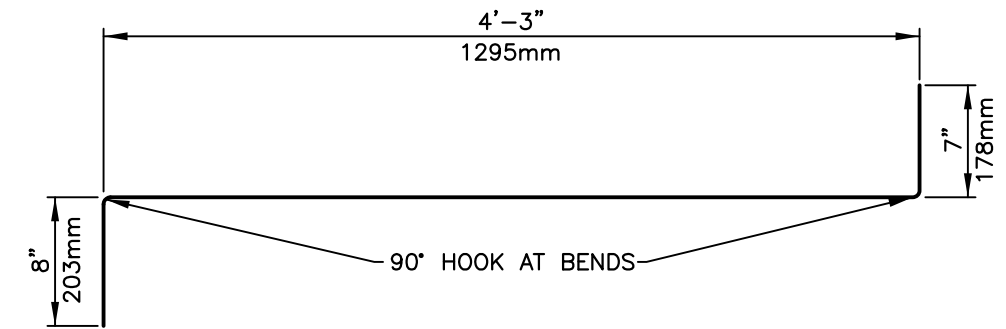
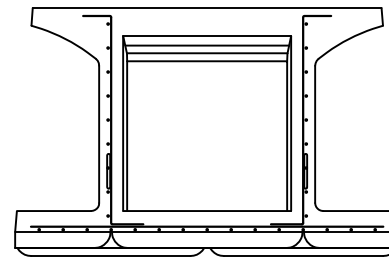
These typical details are preliminary and conceptual in nature. They are provided for general information purposes only. Anyone making use of these details and related information does so at their own risk and assumes all liability for such use. Site specific design should be performed by a licensed Professional Engineer who is familiar with the actual site conditions, materials, and local practices.

Thiele Geotech, Inc. and Stone Strong LLC are the authors of these drawings and retain all common law, statutory, and other reserved rights including the copyright. Limited license is granted to copy, reproduce, or modify the details to prepare construction drawings for Stone Strong retaining walls. Thiele Geotech, Inc. and Stone Strong LLC make no warranties, either expressed or implied, of merchantability or fitness for any particular purpose, and accept no responsibility for the accuracy, suitability, or completeness of information contained herein.

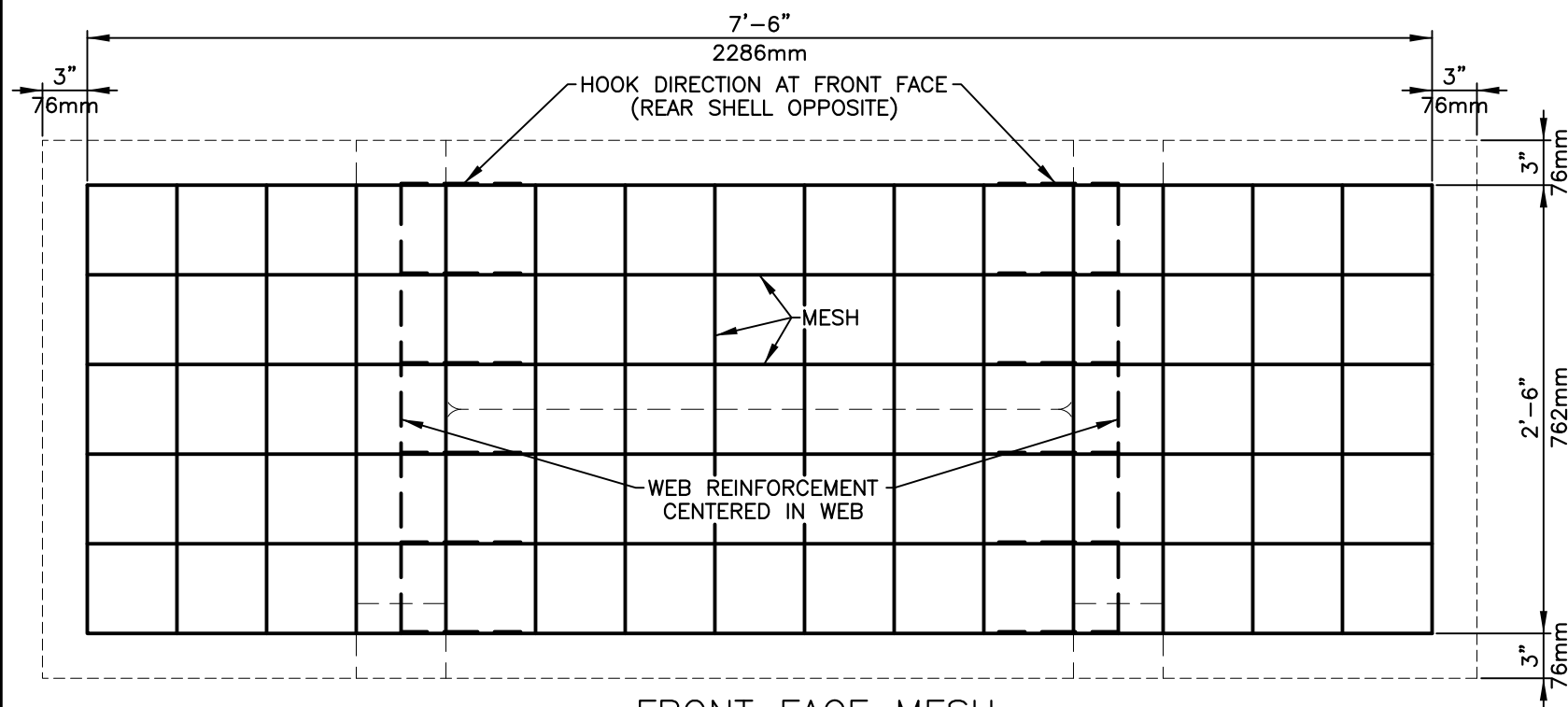
 www.stonestrong.com	PROJECT REINFORCING DETAILS STONE STRONG SYSTEMS
	DATE: 6/29/18 FILE: 02_24-86 Rebar

NOTES:

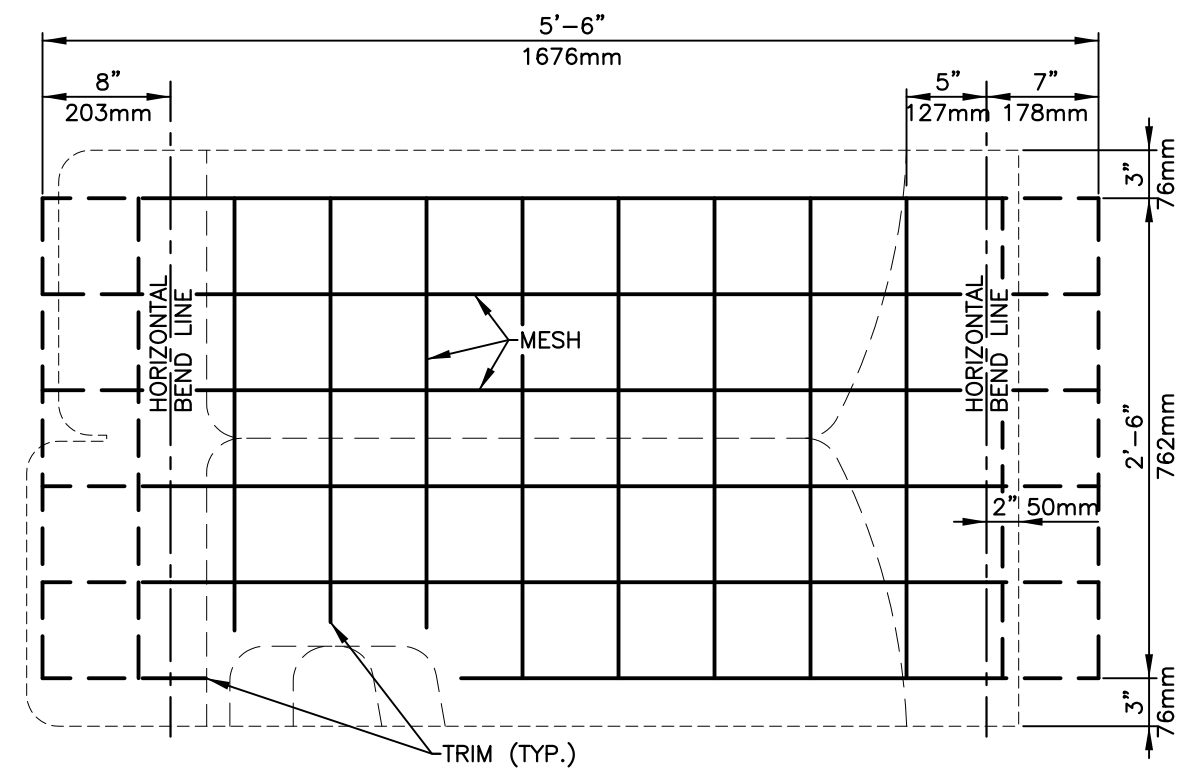
1. ALL MESH SHALL BE W8xW8-6x6 WWF PER ASTM A185/A497/A1064, GRADE 65 U.N.O.
2. USE IN ALL 24-62 UNITS.



BENT WEB MESH – PLAN VIEW



FRONT FACE MESH




BENT WEB MESH (2 REQUIRED)

24-62 UNIT (24-62) – MESH OPTION
NOT TO SCALE

DISCLAIMER:

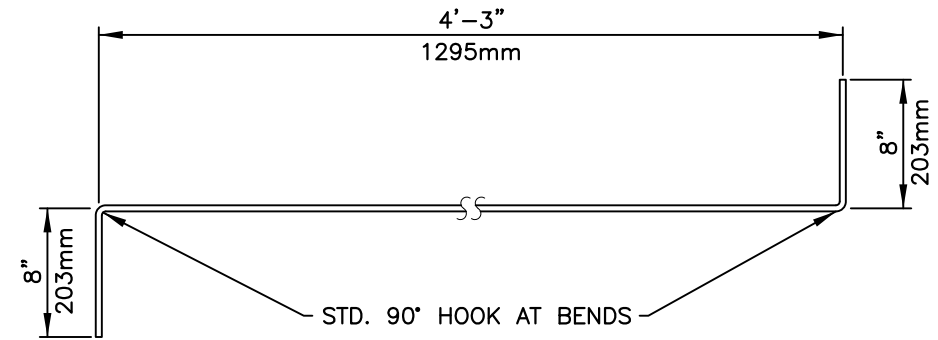
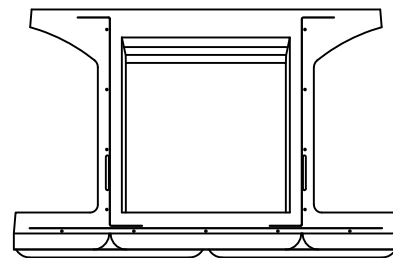
These typical details are preliminary and conceptual in nature. They are provided for general information purposes only. Anyone making use of these details and related information does so at their own risk and assumes all liability for such use. Site specific design should be performed by a licensed Professional Engineer who is familiar with the actual site conditions, materials, and local practices.

Thiele Geotech, Inc. and Stone Strong LLC are the authors of these drawings and retain all common law, statutory, and other reserved rights including the copyright. Limited license is granted to copy, reproduce, or modify the details to prepare construction drawings for Stone Strong retaining walls. Thiele Geotech, Inc. and Stone Strong LLC make no warranties, either expressed or implied, of merchantability or fitness for any particular purpose, and accept no responsibility for the accuracy, suitability, or completeness of information contained herein.

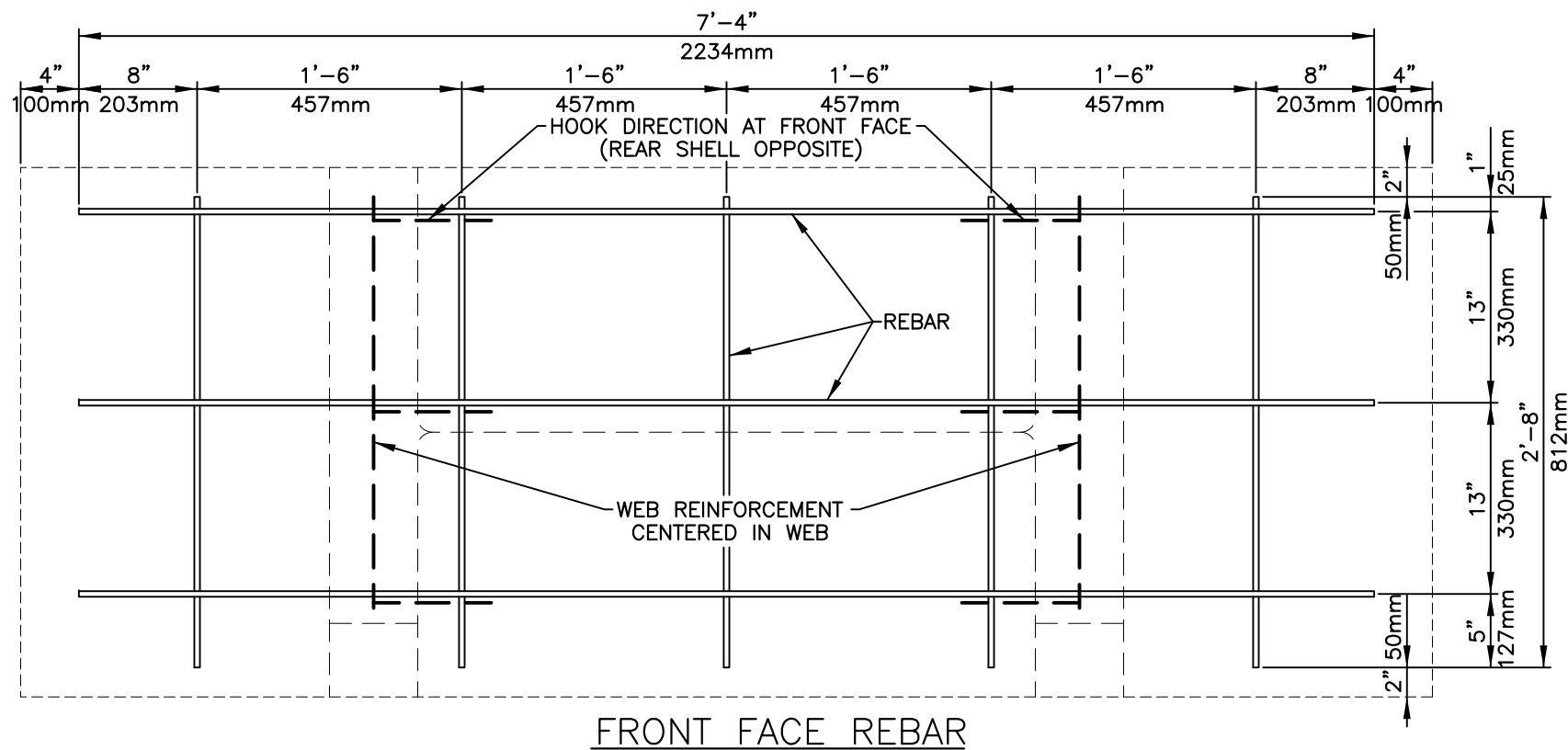
 www.stonestrong.com	PROJECT REINFORCING DETAILS STONE STRONG SYSTEMS
	DATE: 6/29/18 FILE: 03_24-62 Mesh

NOTES:

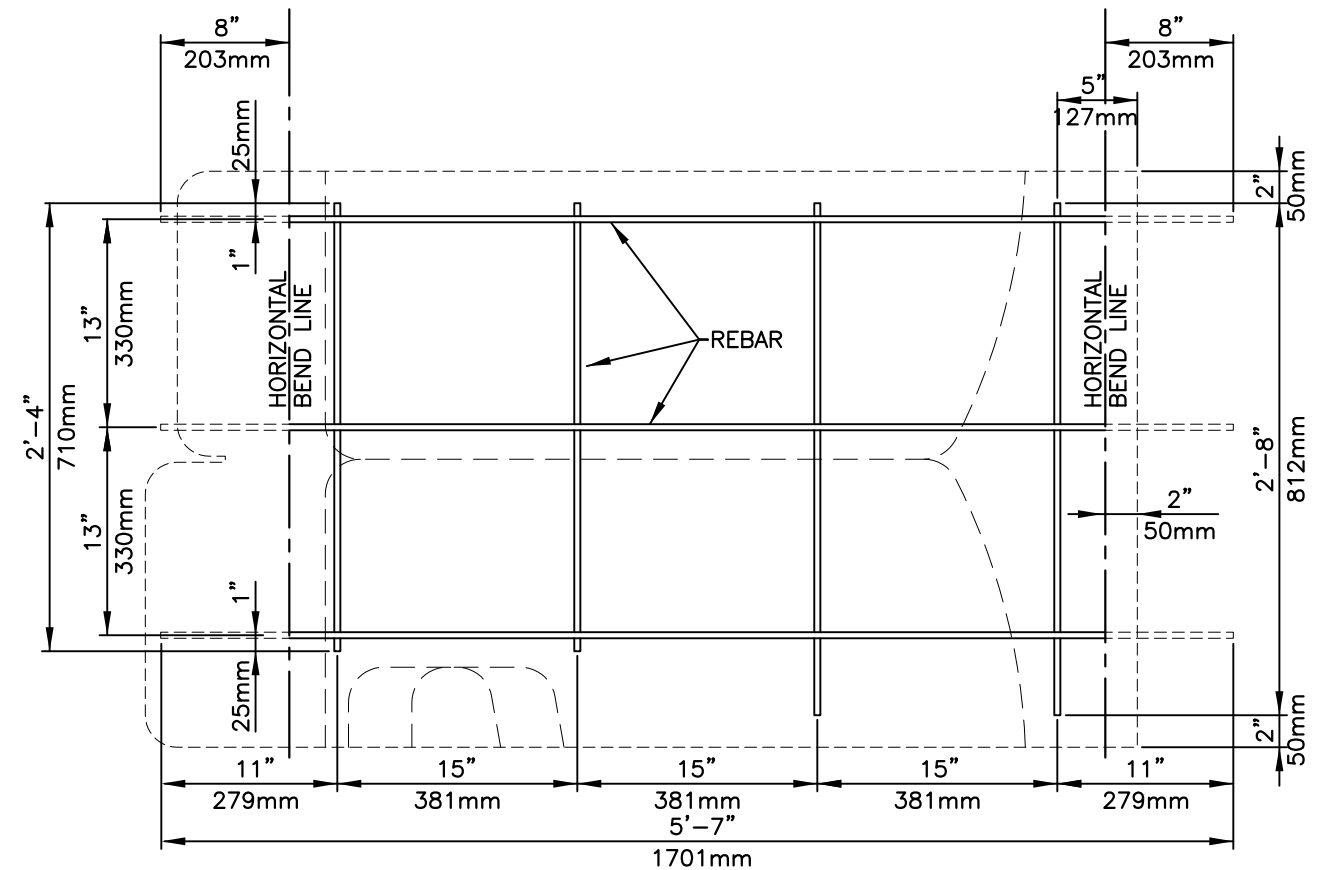
1. ALL STEEL SHALL BE #4 BARS, GRADE 60, U.N.O.
2. USE IN ALL 24-62 UNITS.



BENT WEB REBAR – PLAN VIEW



FRONT FACE REBAR



BENT WEB REBAR (2 REQUIRED)

24-62 UNIT (24-62) – REBAR OPTION

NOT TO SCALE

DISCLAIMER:

These typical details are preliminary and conceptual in nature. They are provided for general information purposes only. Anyone making use of these details and related information does so at their own risk and assumes all liability for such use. Site specific design should be performed by a licensed Professional Engineer who is familiar with the actual site conditions, materials, and local practices.

Thiele Geotech, Inc. and Stone Strong LLC are the authors of these drawings and retain all common law, statutory, and other reserved rights including the copyright. Limited license is granted to copy, reproduce, or modify the details to prepare construction drawings for Stone Strong retaining walls. Thiele Geotech, Inc. and Stone Strong LLC make no warranties, either expressed or implied, of merchantability or fitness for any particular purpose, and accept no responsibility for the accuracy, suitability, or completeness of information contained herein.



www.stonestrong.com

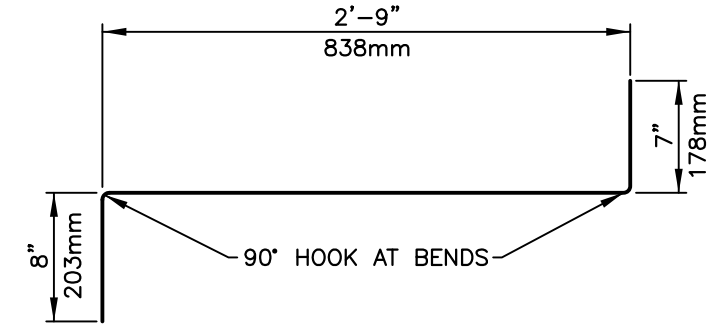
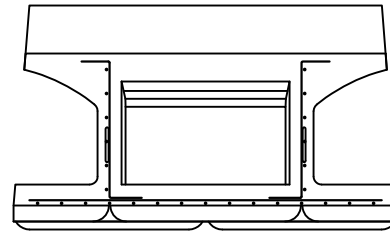
PROJECT

REINFORCING DETAILS
STONE STRONG SYSTEMS

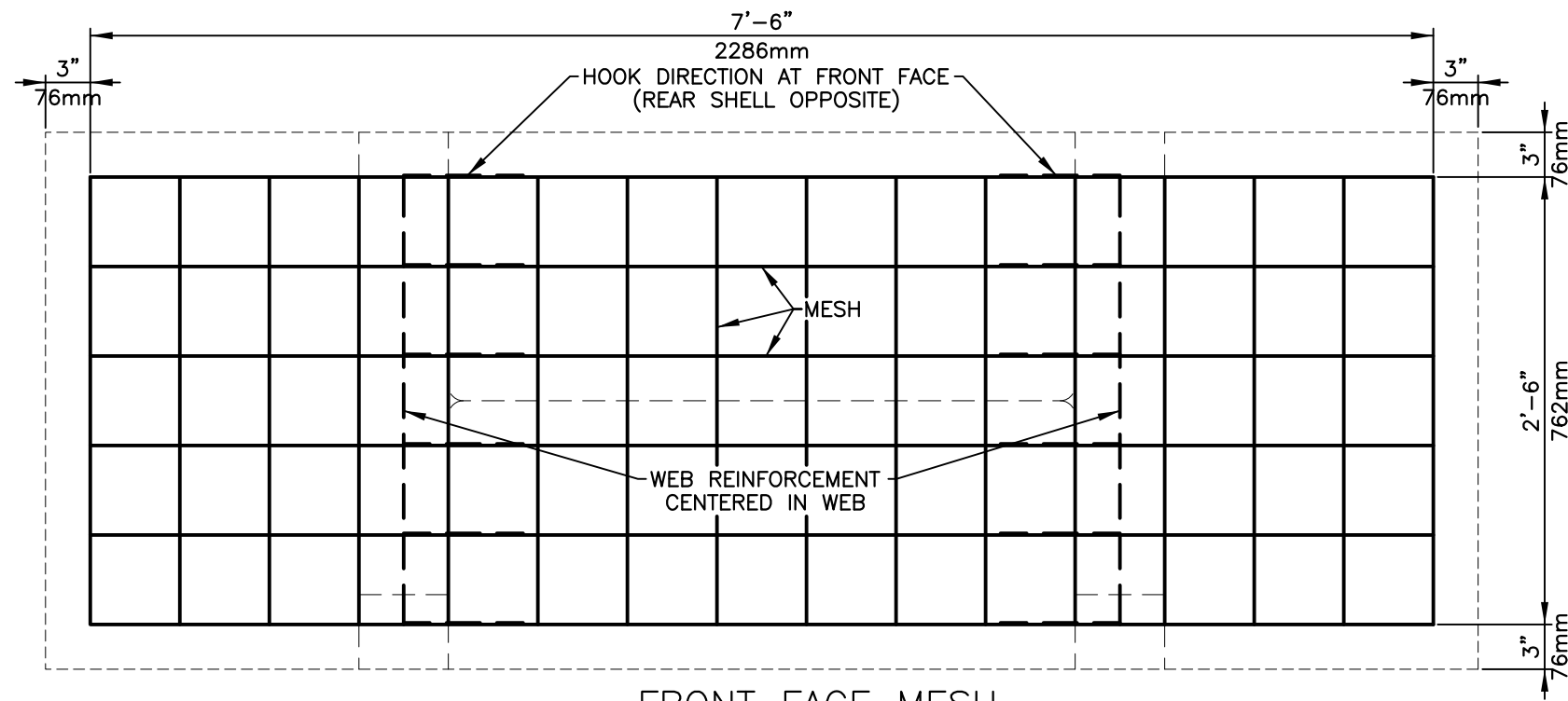
DATE: 6/29/18 FILE: 04_24-62 Rebar

NOTES:

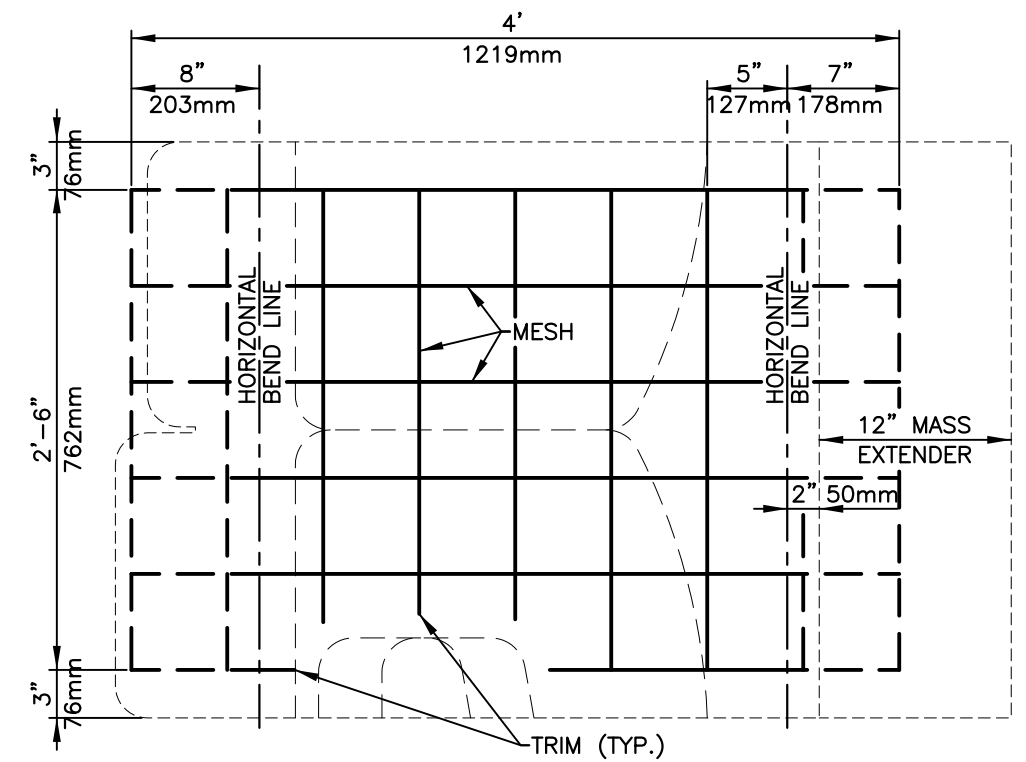
1. ALL MESH SHALL BE W8xW8-6x6 WWF PER ASTM A185/A497/A1064, GRADE 65 U.N.O.
2. USE IN ALL 24-ME UNITS.



BENT WEB MESH – PLAN VIEW



FRONT FACE MESH



BENT WEB MESH (2 REQUIRED)

24SF MASS EXTENDER UNIT (24-ME) – MESH OPTION

NOT TO SCALE

DISCLAIMER:

These typical details are preliminary and conceptual in nature. They are provided for general information purposes only. Anyone making use of these details and related information does so at their own risk and assumes all liability for such use. Site specific design should be performed by a licensed Professional Engineer who is familiar with the actual site conditions, materials, and local practices.

Thiele Geotech, Inc. and Stone Strong LLC are the authors of these drawings and retain all common law, statutory, and other reserved rights including the copyright. Limited license is granted to copy, reproduce, or modify the details to prepare construction drawings for Stone Strong retaining walls. Thiele Geotech, Inc. and Stone Strong LLC make no warranties, either expressed or implied, of merchantability or fitness for any particular purpose, and accept no responsibility for the accuracy, suitability, or completeness of information contained herein.



www.stonestrong.com

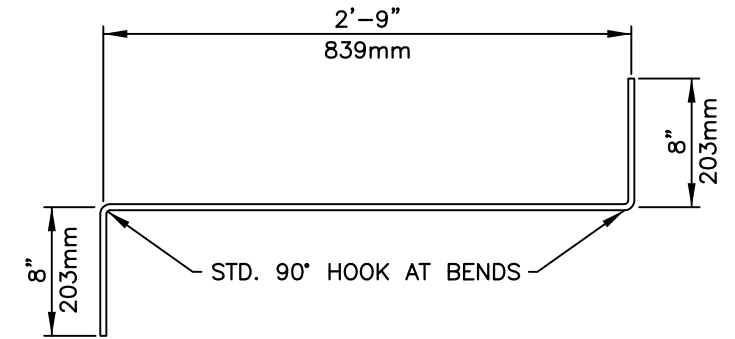
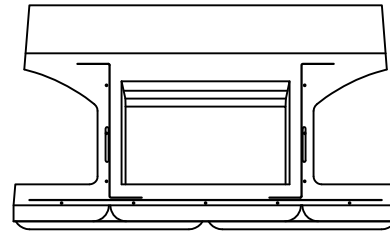
PROJECT

REINFORCING DETAILS
STONE STRONG SYSTEMS

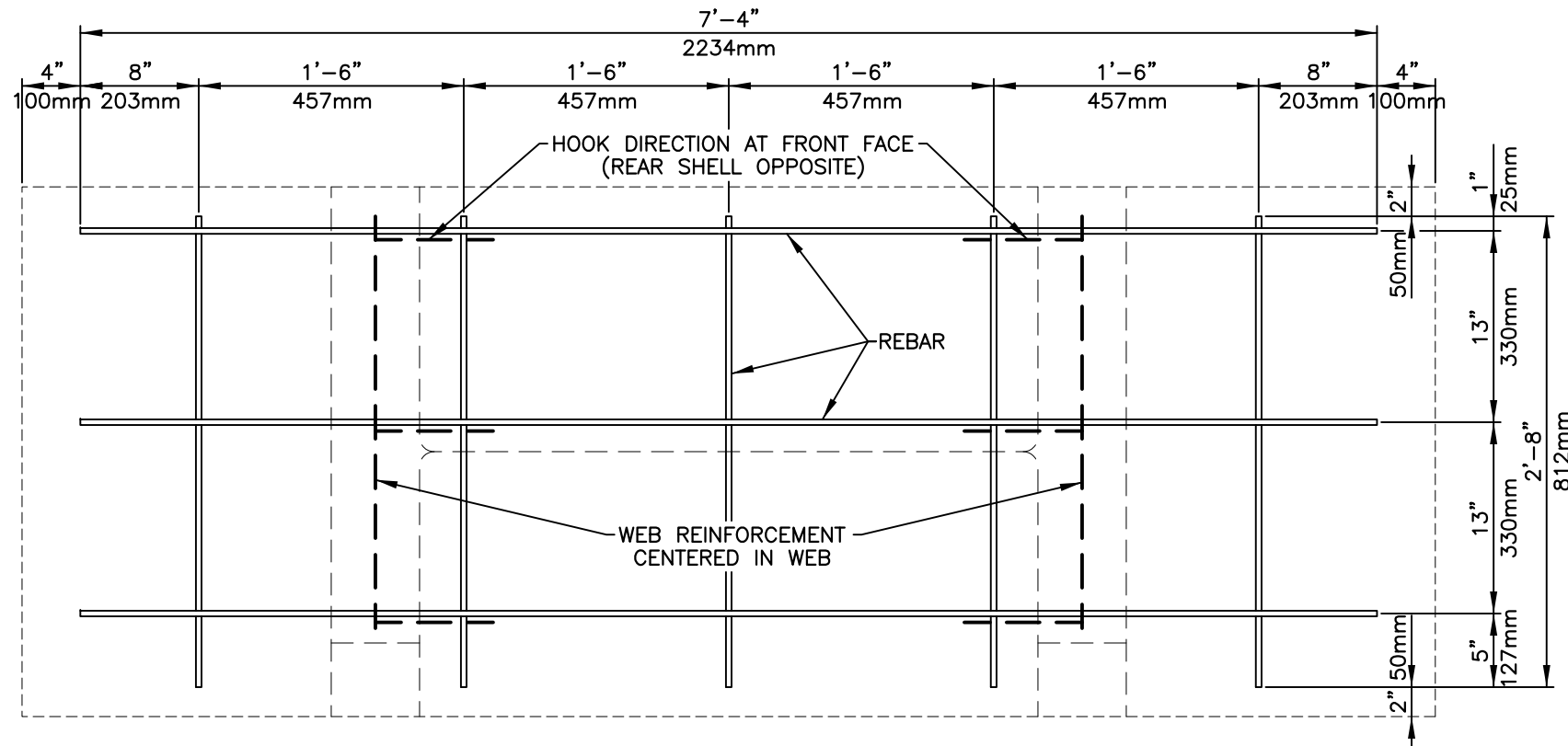
DATE: 6/29/18 FILE: 05_24-ME Mesh

NOTES:

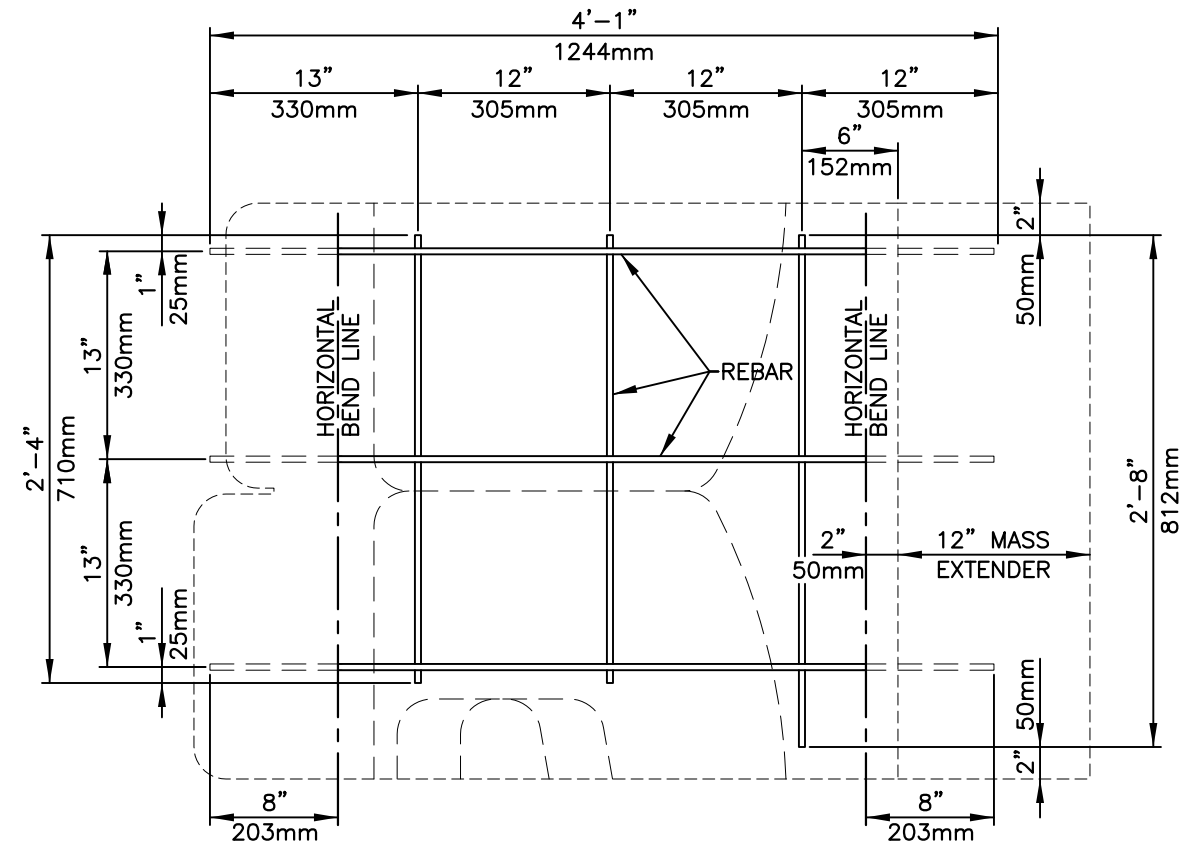
1. ALL STEEL SHALL BE #4 BARS, GRADE 60, U.N.O.
2. USE IN ALL 24-ME UNITS.



BENT WEB REBAR – PLAN VIEW



FRONT FACE REBAR



BENT WEB REBAR (2 REQUIRED)

24SF MASS EXTENDER UNIT (24-ME) – REBAR OPTION

NOT TO SCALE

DISCLAIMER:

These typical details are preliminary and conceptual in nature. They are provided for general information purposes only. Anyone making use of these details and related information does so at their own risk and assumes all liability for such use. Site specific design should be performed by a licensed Professional Engineer who is familiar with the actual site conditions, materials, and local practices.

Thiele Geotech, Inc. and Stone Strong LLC are the authors of these drawings and retain all common law, statutory, and other reserved rights including the copyright. Limited license is granted to copy, reproduce, or modify the details to prepare construction drawings for Stone Strong retaining walls. Thiele Geotech, Inc. and Stone Strong LLC make no warranties, either expressed or implied, of merchantability or fitness for any particular purpose, and accept no responsibility for the accuracy, suitability, or completeness of information contained herein.



www.stonestrong.com

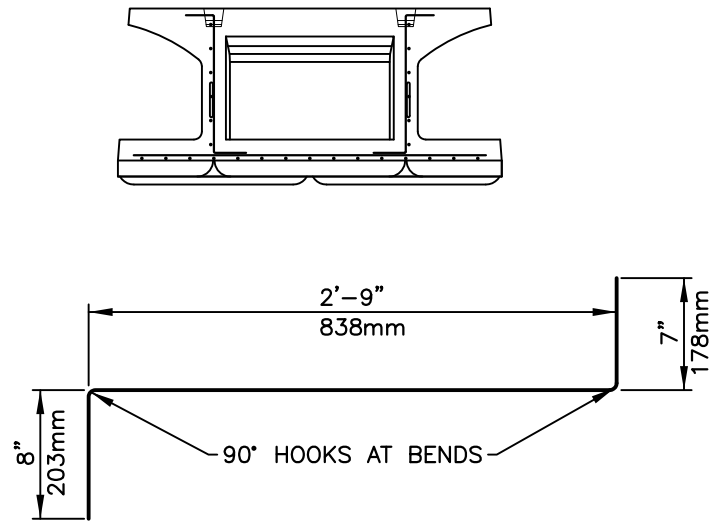
PROJECT

REINFORCING DETAILS
STONE STRONG SYSTEMS

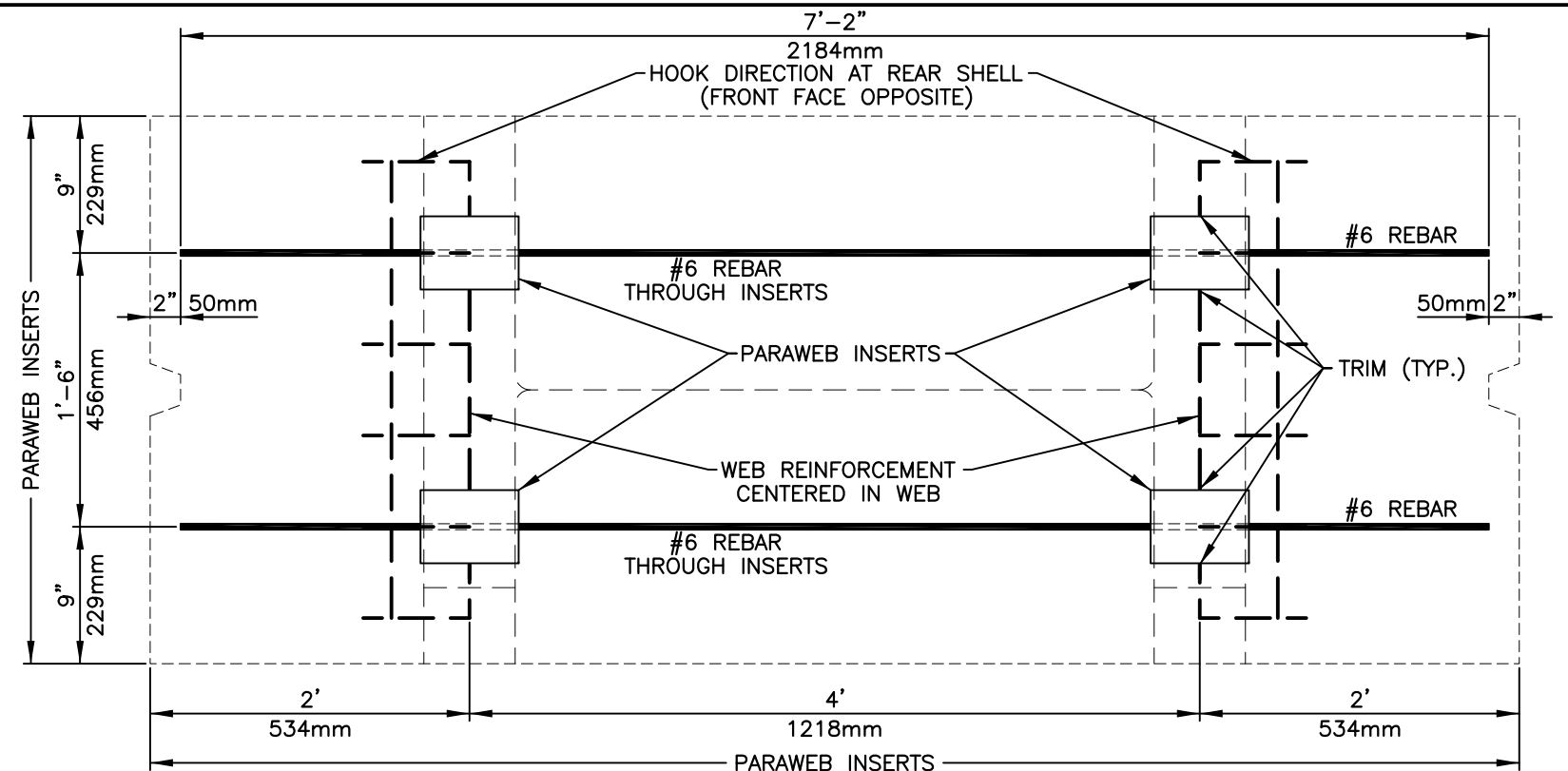
DATE: 6/29/18 FILE: 06_24-ME Rebar

NOTES:

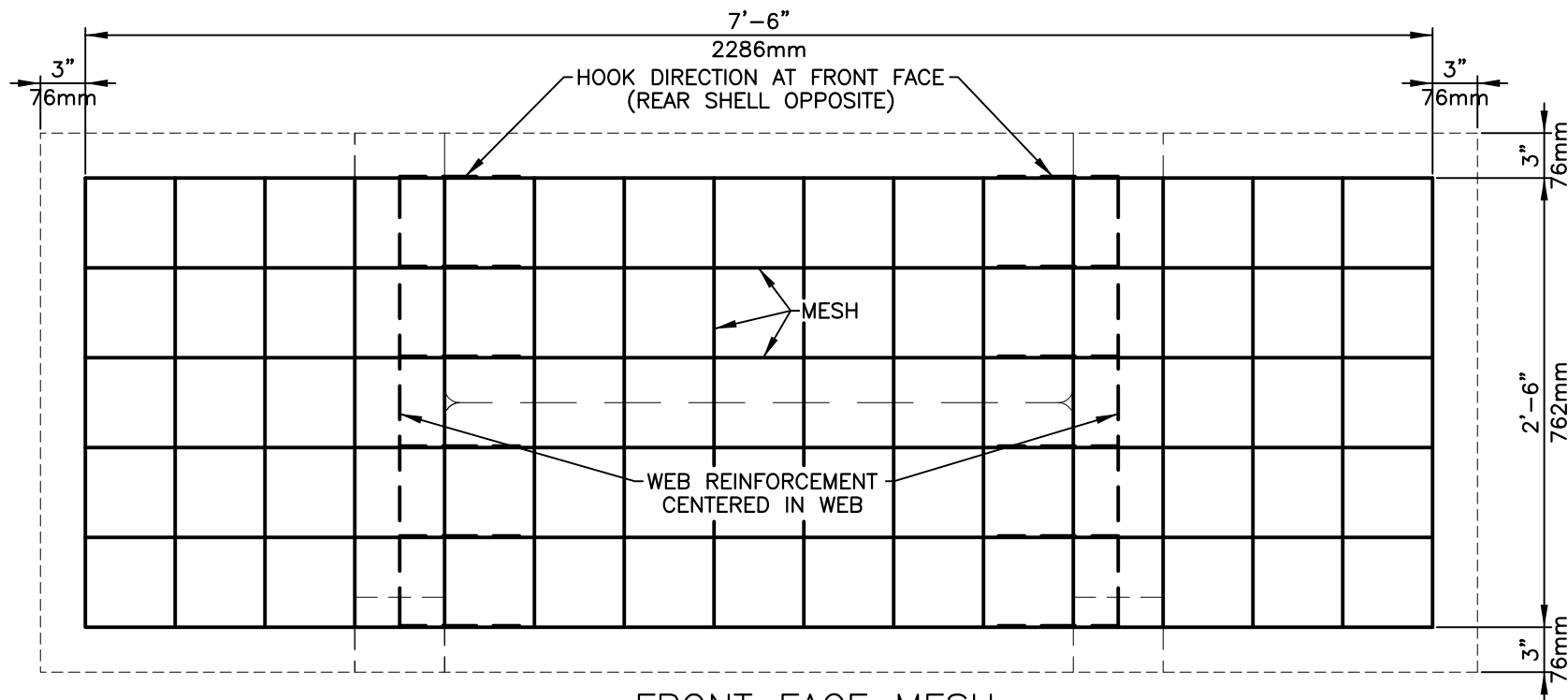
1. ALL MESH SHALL BE W8xW8-6x6 WWF PER ASTM A185/A497/A1064, GRADE 65 U.N.O.
2. ALL #6 BARS SHALL BE GRADE 60.
3. USE FOR PARAWEB MSE WALL IN TOP 36 FEET.



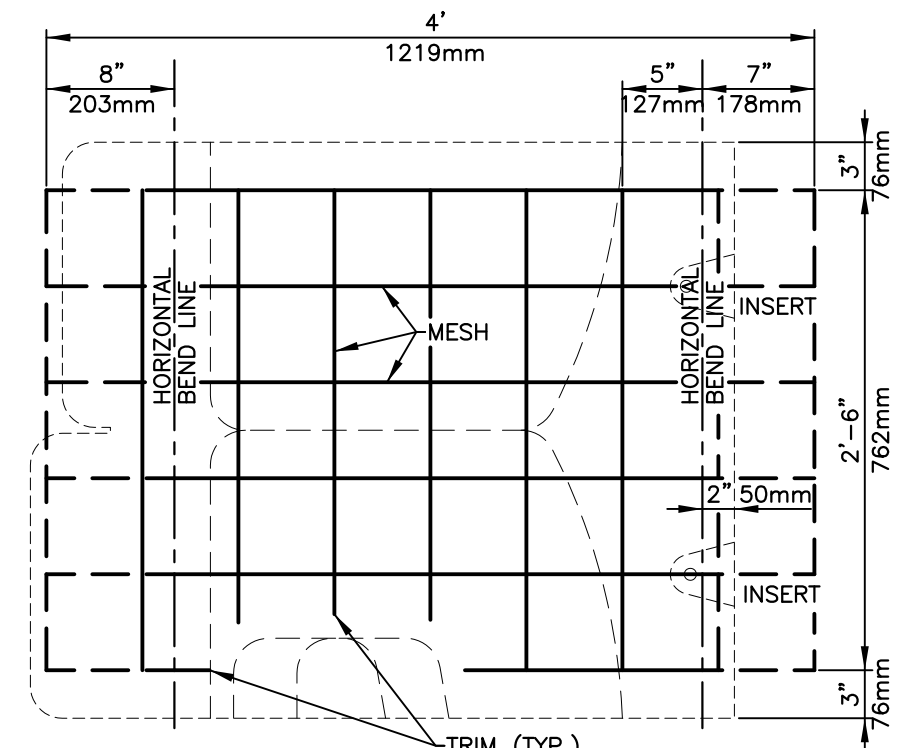
BENT WEB MESH - PLAN VIEW



REAR SHELL MESH w/PARAWEB INSERTS



FRONT FACE MESH



BENT WEB MESH (2 REQUIRED)

24SF PARAWEB UNIT (24SF-P) - MESH OPTION

NOT TO SCALE

DISCLAIMER:

These typical details are preliminary and conceptual in nature. They are provided for general information purposes only. Anyone making use of these details and related information does so at their own risk and assumes all liability for such use. Site specific design should be performed by a licensed Professional Engineer who is familiar with the actual site conditions, materials, and local practices.

Thiele Geotech, Inc. and Stone Strong LLC are the authors of these drawings and retain all common law, statutory, and other reserved rights including the copyright. Limited license is granted to copy, reproduce, or modify the details to prepare construction drawings for Stone Strong retaining walls. Thiele Geotech, Inc. and Stone Strong LLC make no warranties, either expressed or implied, of merchantability or fitness for any particular purpose, and accept no responsibility for the accuracy, suitability, or completeness of information contained herein.



www.stonestrong.com

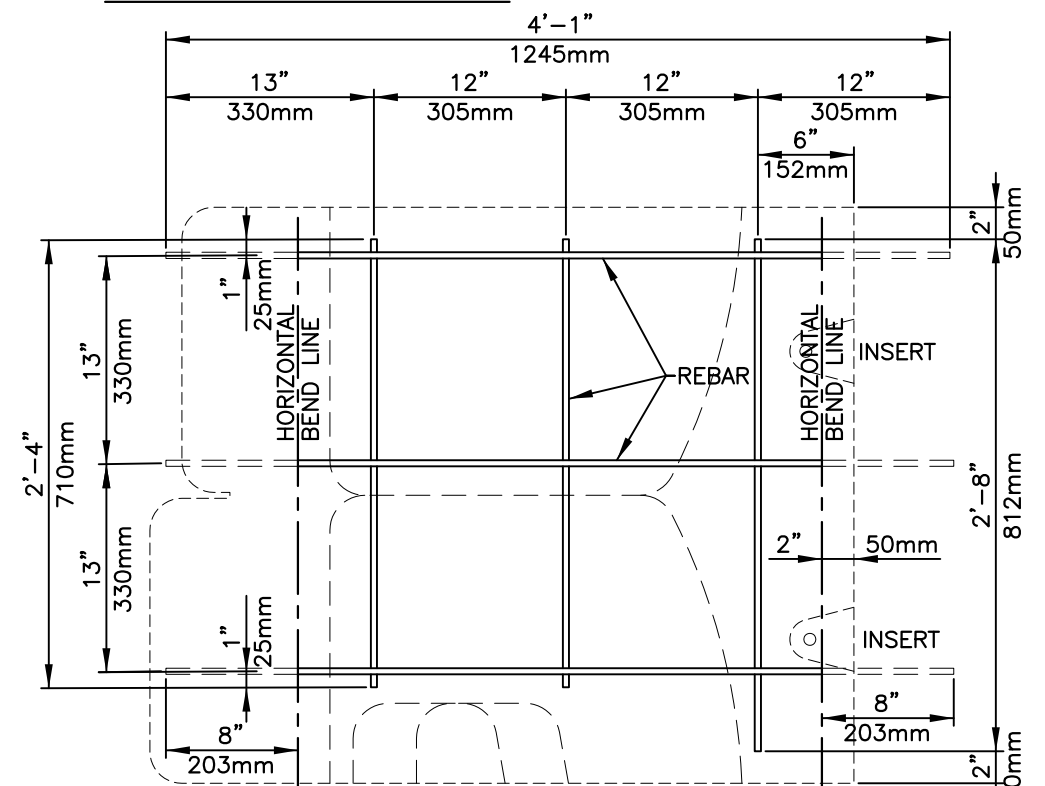
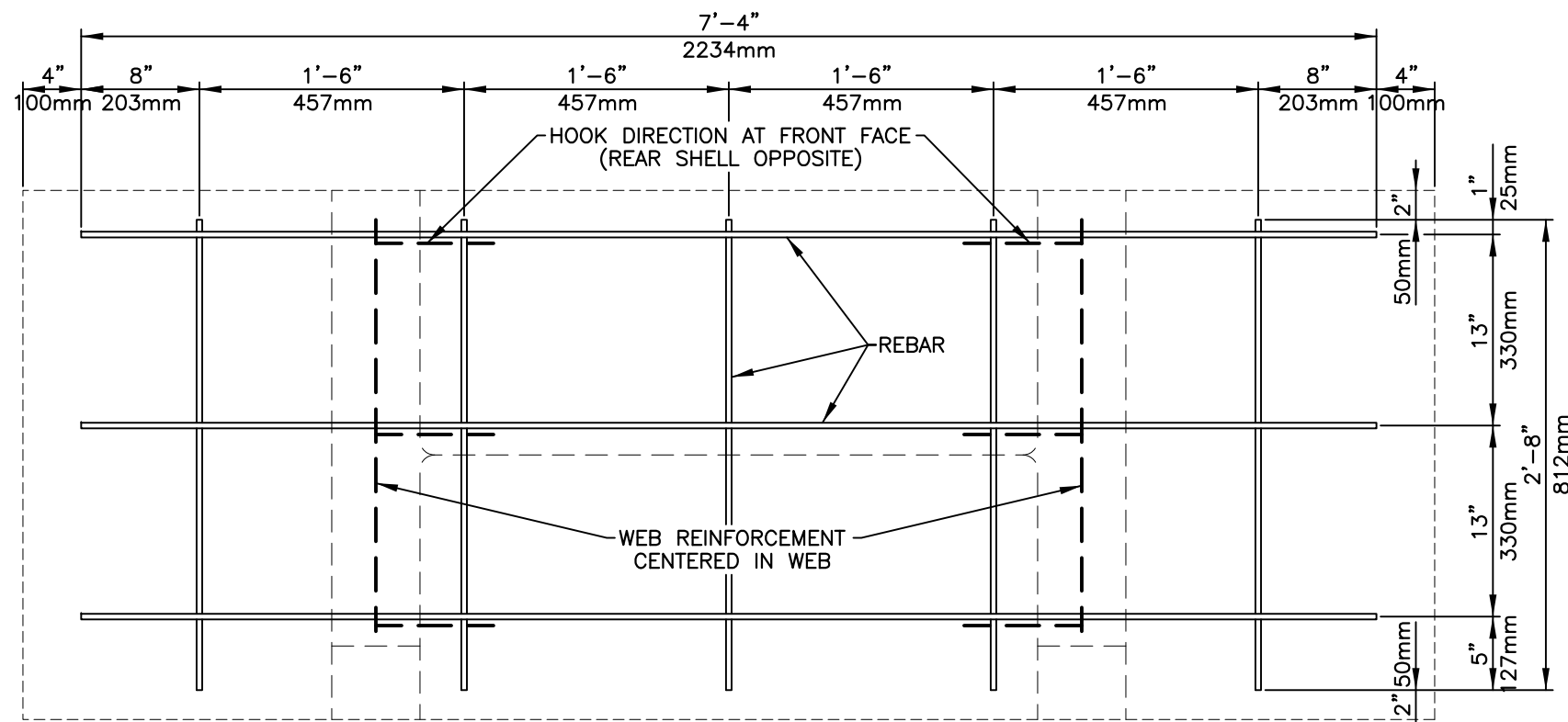
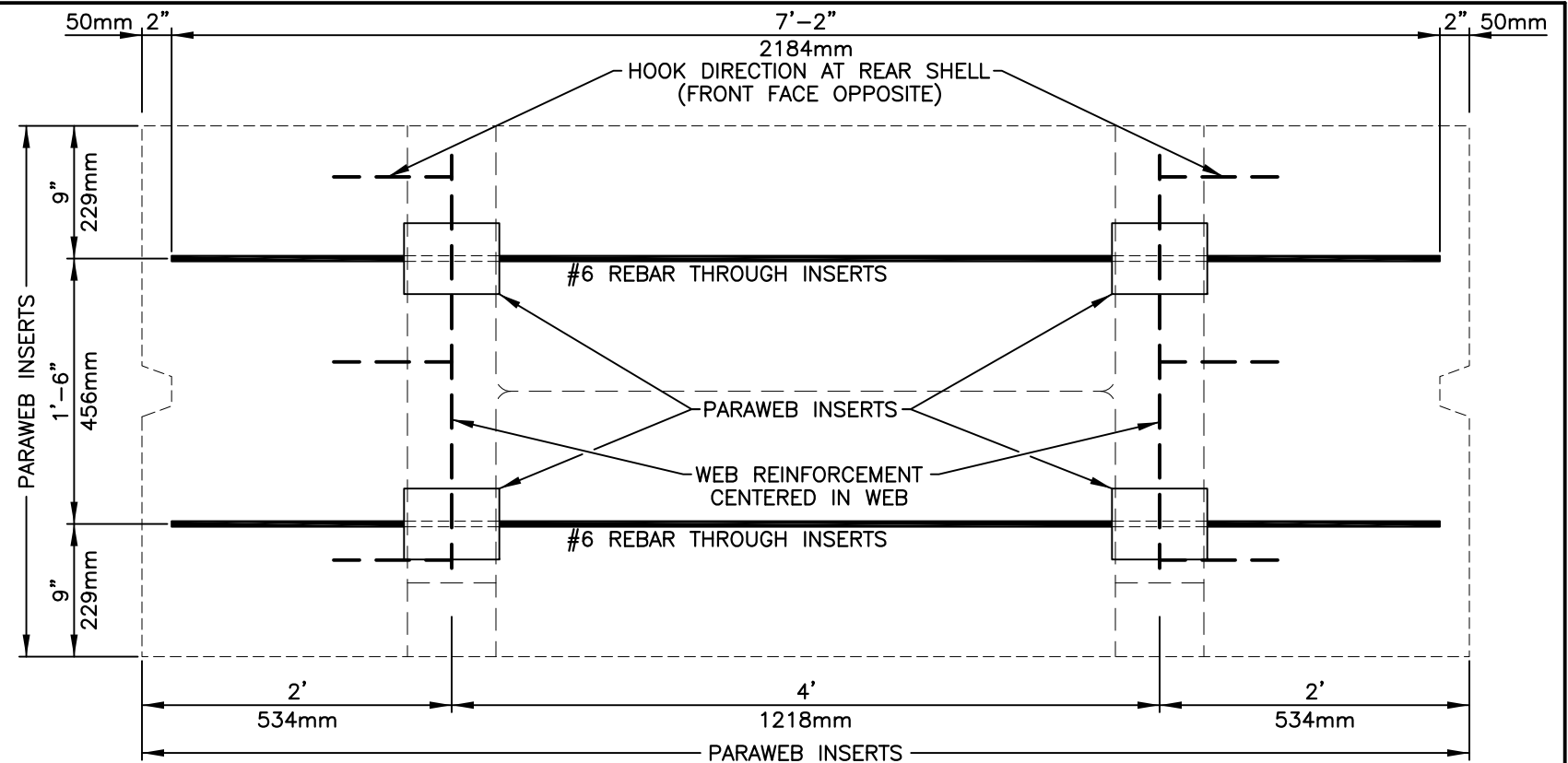
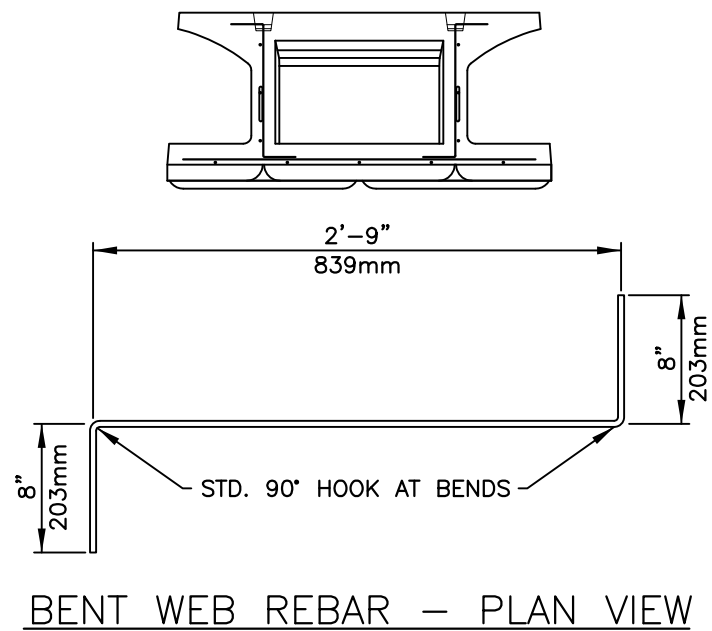
PROJECT

REINFORCING DETAILS
STONE STRONG SYSTEMS

DATE: 6/29/18 FILE: 07_24SF-P Mesh

NOTES:

1. ALL STEEL SHALL BE #4 BARS, GRADE 60, U.N.O.
2. ALL #6 BARS SHALL BE GRADE 60.
3. USE FOR PARAWEB MSE WALL IN TOP 36 FEET.



24SF PARAWEB UNIT (24SF-P) - REBAR OPTION

NOT TO SCALE

DISCLAIMER:
 These typical details are preliminary and conceptual in nature. They are provided for general information purposes only. Anyone making use of these details and related information does so at their own risk and assumes all liability for such use. Site specific design should be performed by a licensed Professional Engineer who is familiar with the actual site conditions, materials, and local practices.

Thiele Geotech, Inc. and Stone Strong LLC are the authors of these drawings and retain all common law, statutory, and other reserved rights including the copyright. Limited license is granted to copy, reproduce, or modify the details to prepare construction drawings for Stone Strong retaining walls. Thiele Geotech, Inc. and Stone Strong LLC make no warranties, either expressed or implied, of merchantability or fitness for any particular purpose, and accept no responsibility for the accuracy, suitability, or completeness of information contained herein.



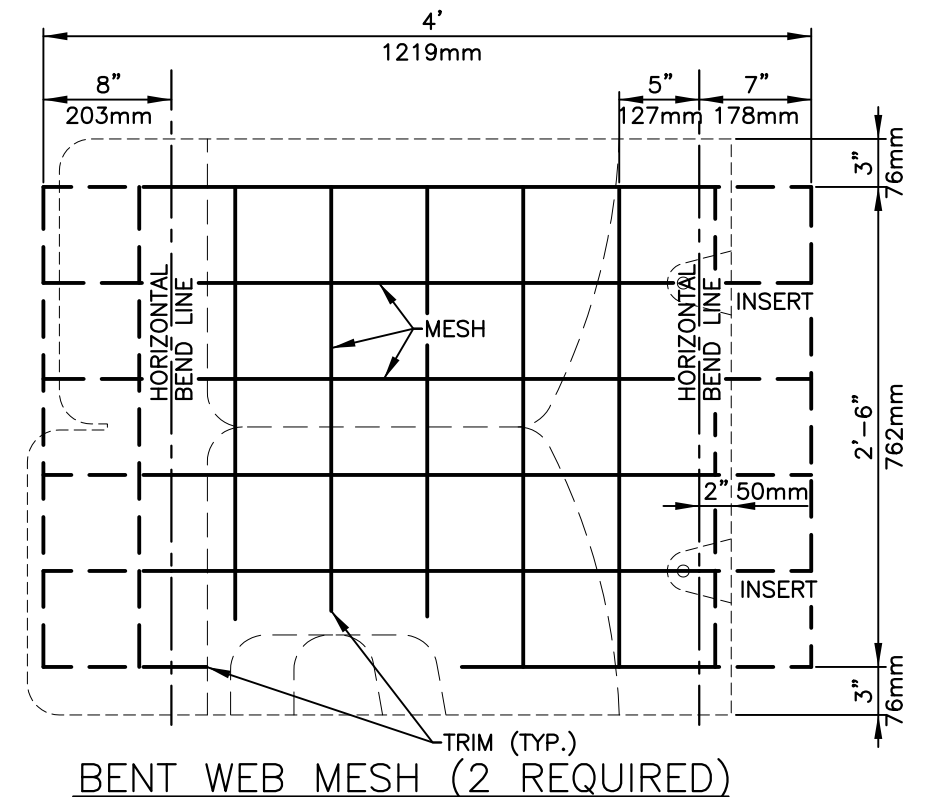
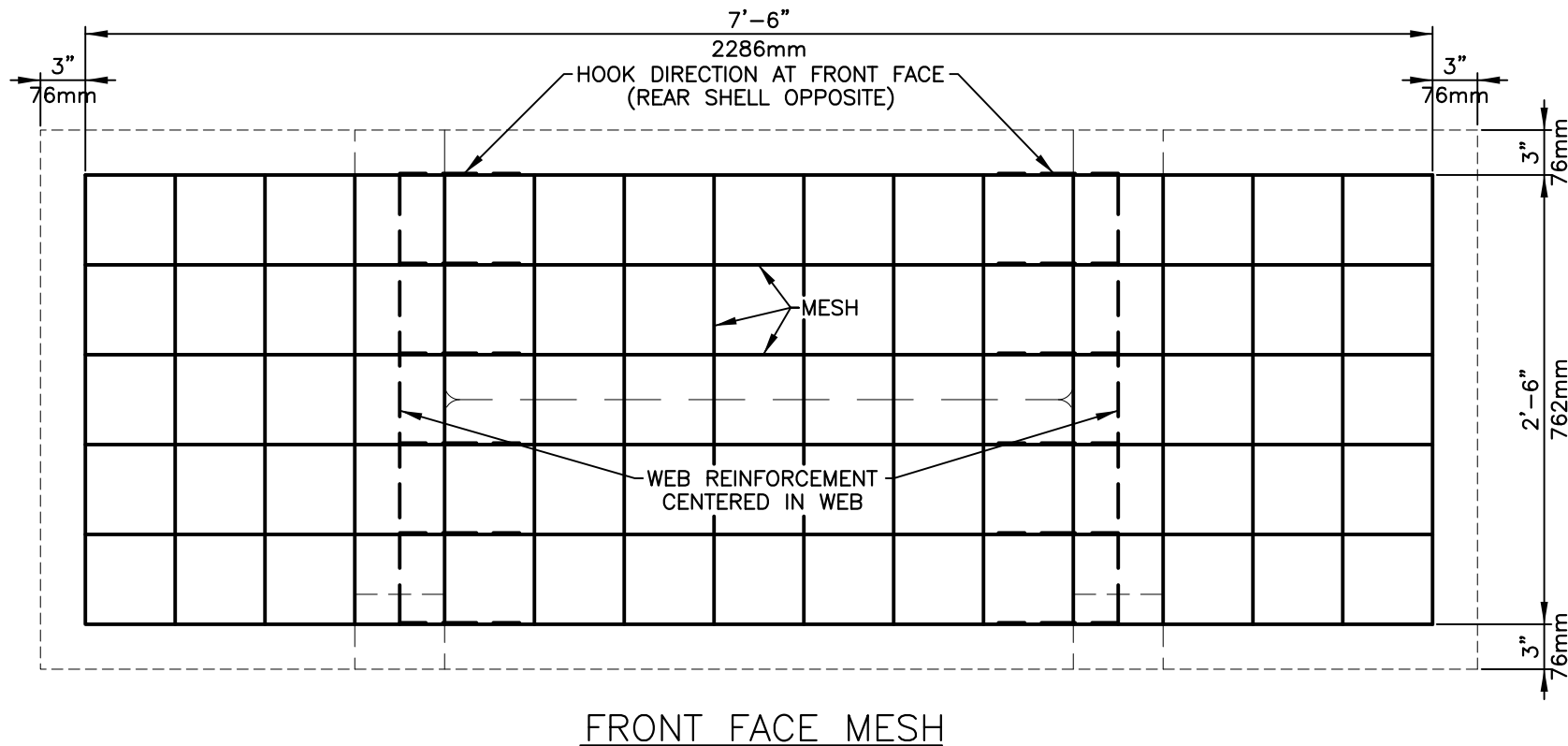
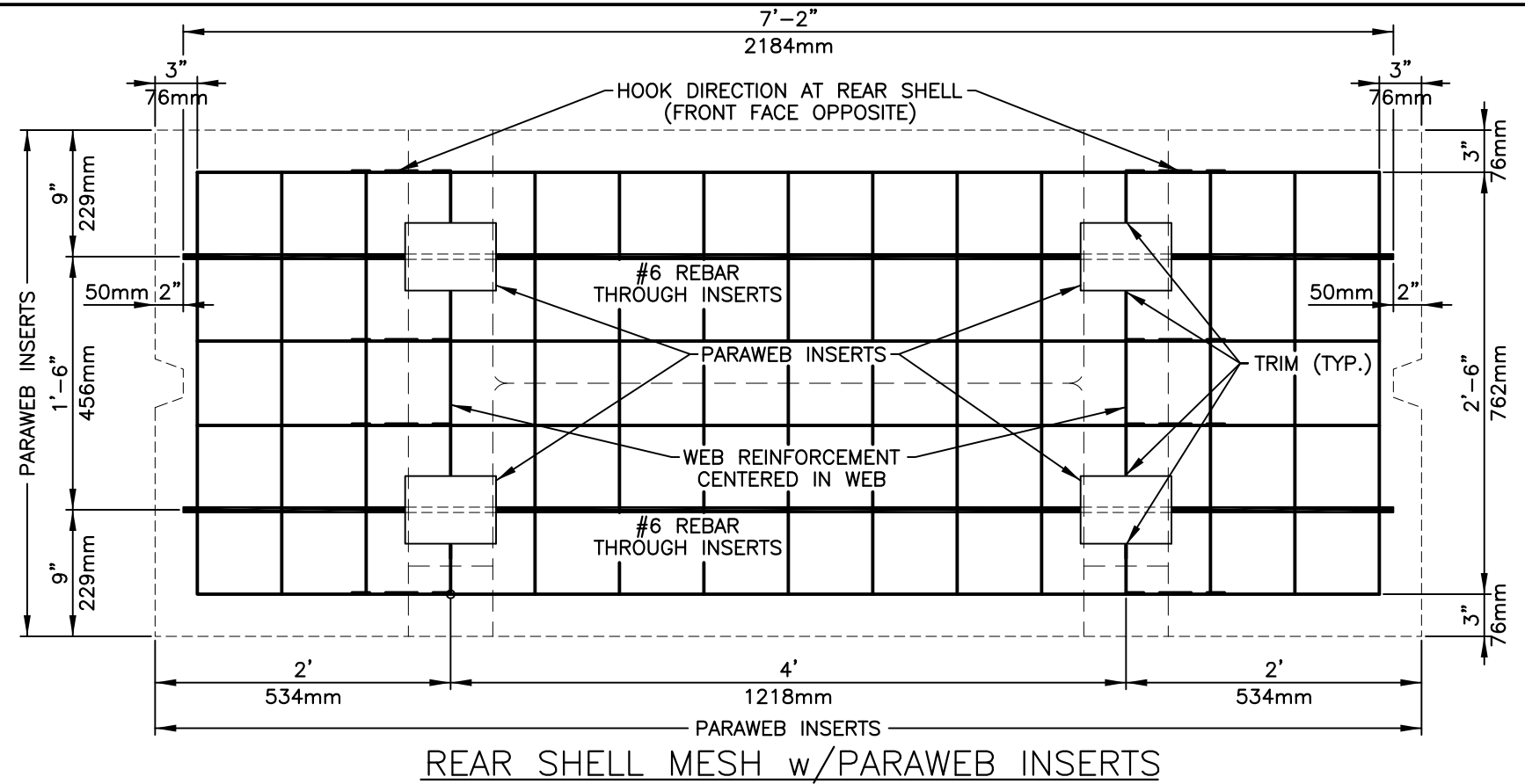
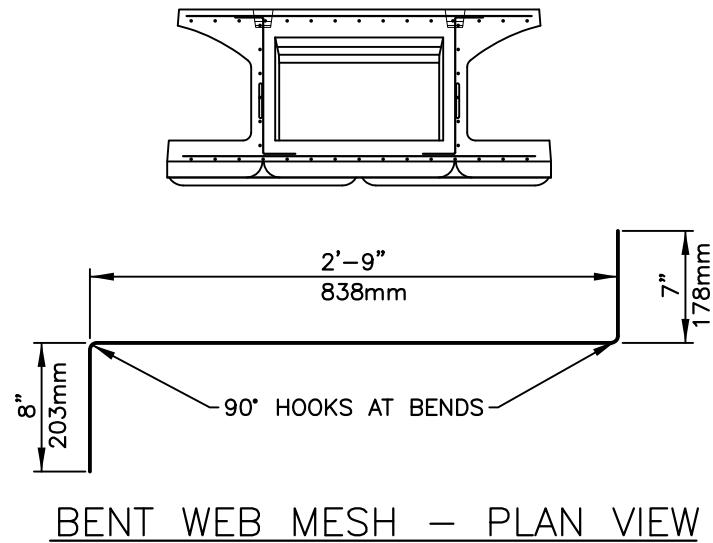
www.stonestrong.com

PROJECT
REINFORCING DETAILS
 STONE STRONG SYSTEMS

DATE: 6/29/18 FILE: 08_24SF-P Rebar

NOTES:

1. ALL MESH SHALL BE W8xW8-6x6 WWF PER ASTM A185/A497/A1064, GRADE 65 U.N.O.
2. ALL #6 BARS SHALL BE GRADE 60.
3. USE IN PARAWEB MSE WALL BETWEEN 36 AND 51 FEET BELOW TOP OF WALL.



24SF HEAVY DUTY PARAWEB UNIT (24SF-HDP) - MESH OPTION

NOT TO SCALE

DISCLAIMER:

These typical details are preliminary and conceptual in nature. They are provided for general information purposes only. Anyone making use of these details and related information does so at their own risk and assumes all liability for such use. Site specific design should be performed by a licensed Professional Engineer who is familiar with the actual site conditions, materials, and local practices.

Thiele Geotech, Inc. and Stone Strong LLC are the authors of these drawings and retain all common law, statutory, and other reserved rights including the copyright. Limited license is granted to copy, reproduce, or modify the details to prepare construction drawings for Stone Strong retaining walls. Thiele Geotech, Inc. and Stone Strong LLC make no warranties, either expressed or implied, of merchantability or fitness for any particular purpose, and accept no responsibility for the accuracy, suitability, or completeness of information contained herein.



www.stonestrong.com

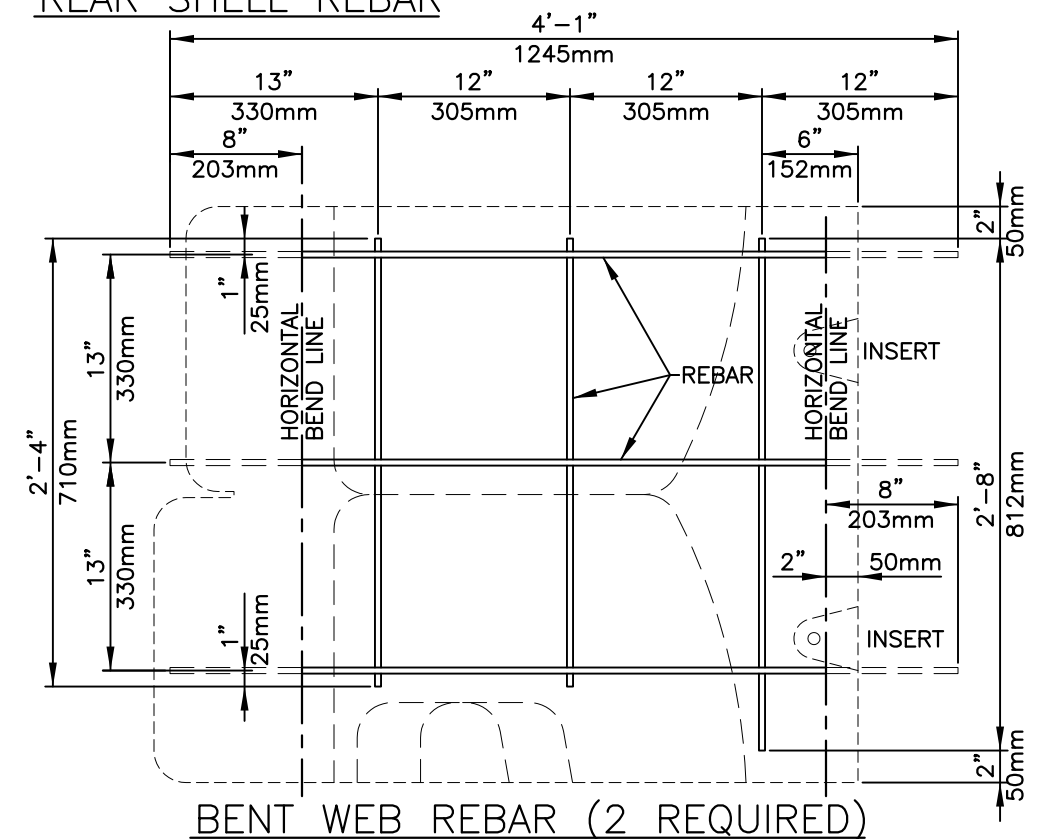
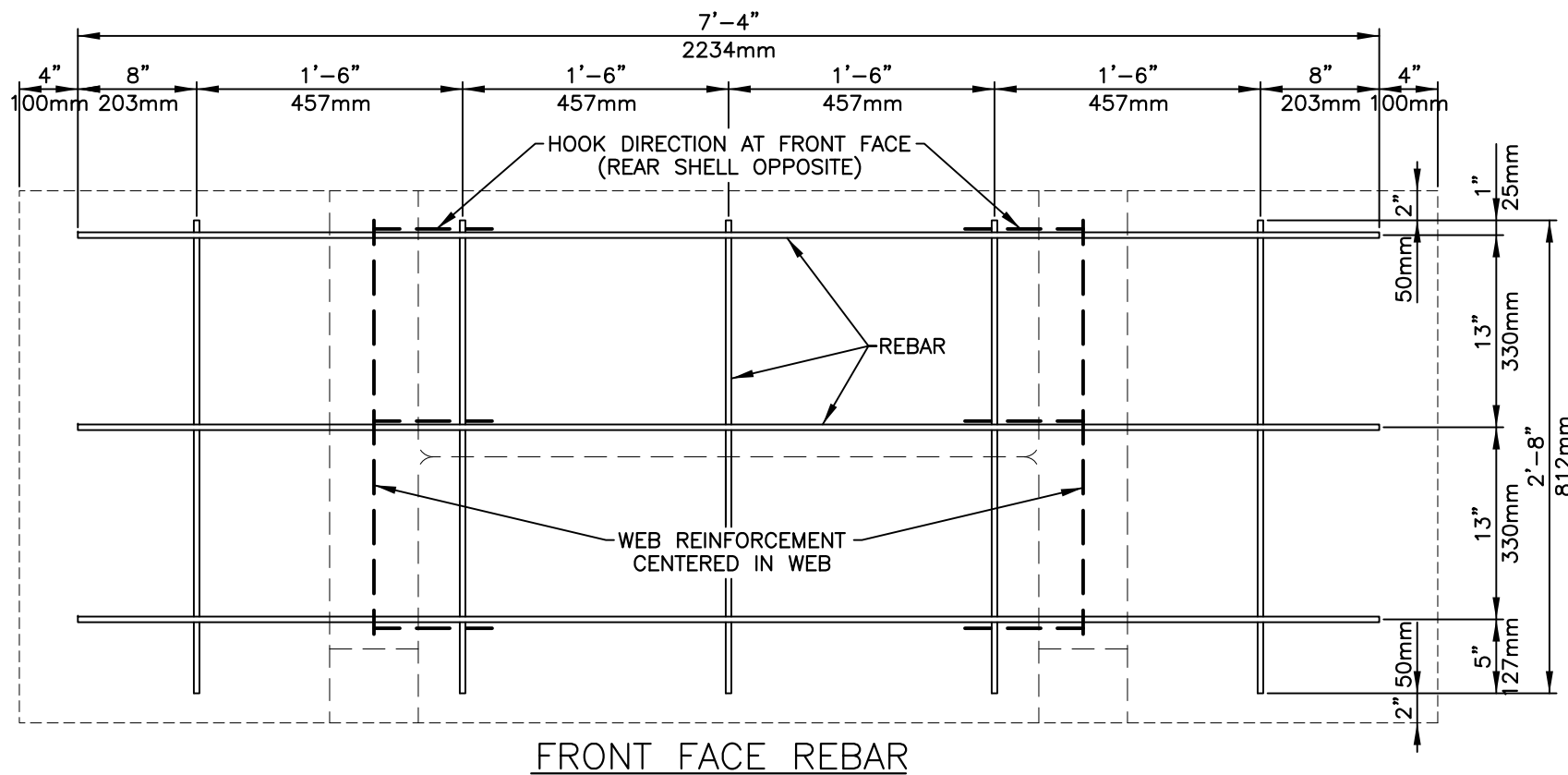
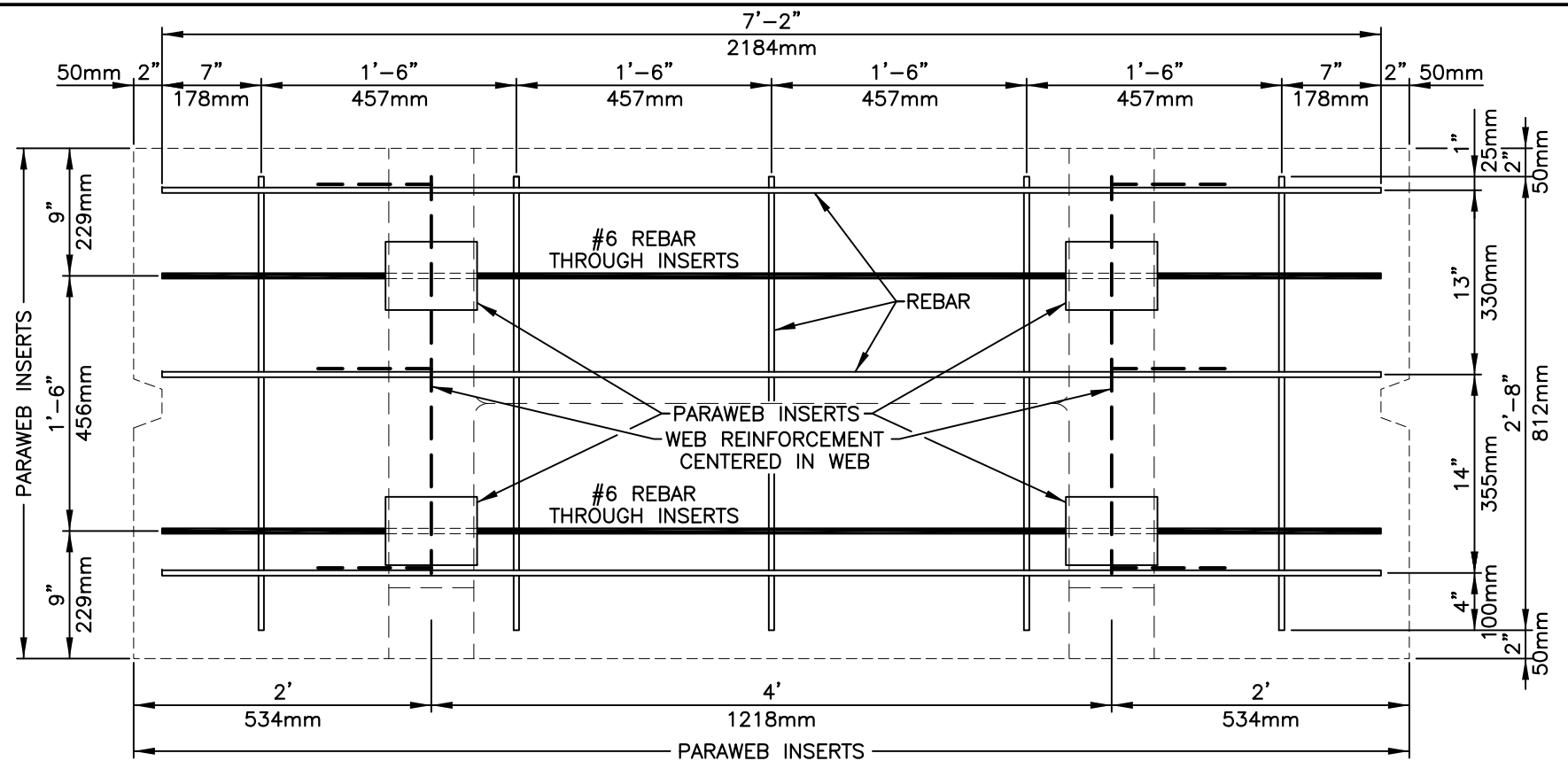
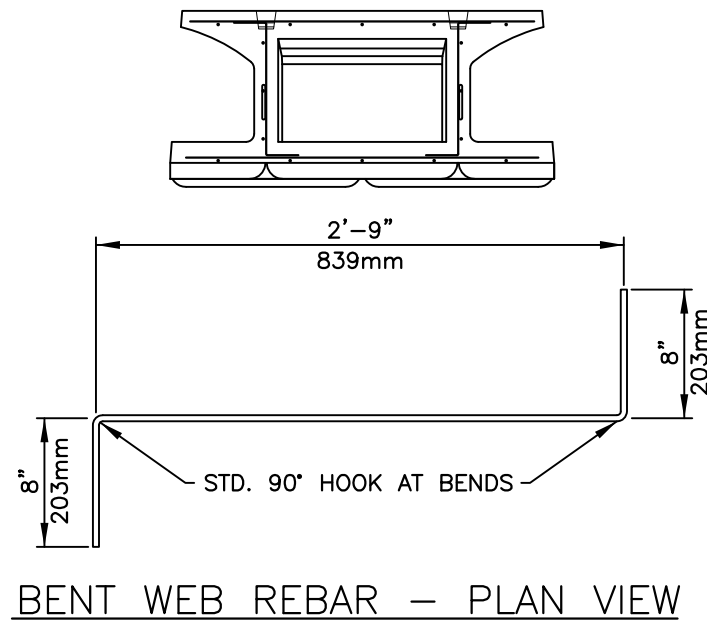
PROJECT

REINFORCING DETAILS
STONE STRONG SYSTEMS

DATE: 6/29/18 FILE: 09_24SF-HDP Mesh

NOTES:

1. ALL STEEL SHALL BE #4 BARS, GRADE 60, U.N.O.
2. ALL #6 BARS SHALL BE GRADE 60.
3. USE IN PARAWEB MSE WALL BETWEEN 36 AND 51 FEET BELOW TOP OF WALL.



24SF HEAVY DUTY PARAWEB UNIT (24SF-HDP) - REBAR OPTION

NOT TO SCALE

DISCLAIMER:

These typical details are preliminary and conceptual in nature. They are provided for general information purposes only. Anyone making use of these details and related information does so at their own risk and assumes all liability for such use. Site specific design should be performed by a licensed Professional Engineer who is familiar with the actual site conditions, materials, and local practices.

Thiele Geotech, Inc. and Stone Strong LLC are the authors of these drawings and retain all common law, statutory, and other reserved rights including the copyright. Limited license is granted to copy, reproduce, or modify the details to prepare construction drawings for Stone Strong retaining walls. Thiele Geotech, Inc. and Stone Strong LLC make no warranties, either expressed or implied, of merchantability or fitness for any particular purpose, and accept no responsibility for the accuracy, suitability, or completeness of information contained herein.



www.stonestrong.com

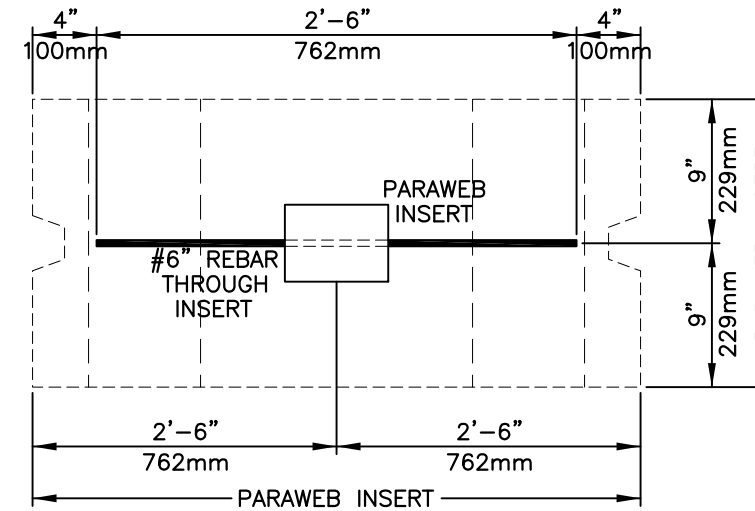
PROJECT

REINFORCING DETAILS
STONE STRONG SYSTEMS

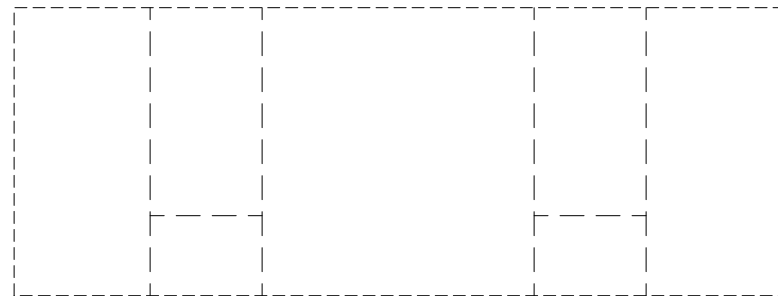
DATE: 6/29/18 FILE: 10_24SF-HDP Rebar

NOTES:

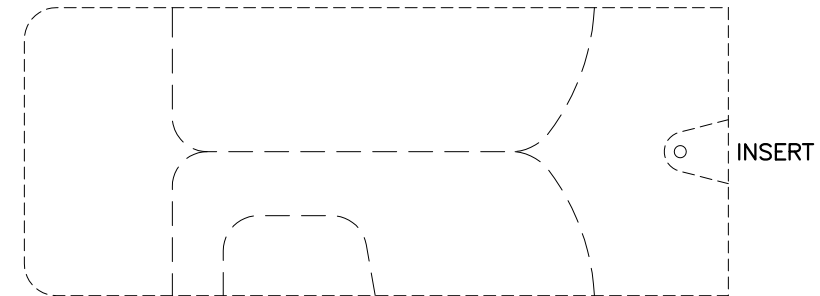
1. ALL #6 BARS SHALL BE GRADE 60.
2. USE IN PARAWEB MSE WALL IN TOP 12 FEET.
3. MAY ALSO BE USED IN BOTTOM COURSE ONLY OF PARAWEB MSE WALL USING 24SF UNITS ABOVE.



REAR SHELL



FRONT FACE



SIDE ELEVATION


6SF PARAWEB UNIT (6SF-P)

NOT TO SCALE

DISCLAIMER:

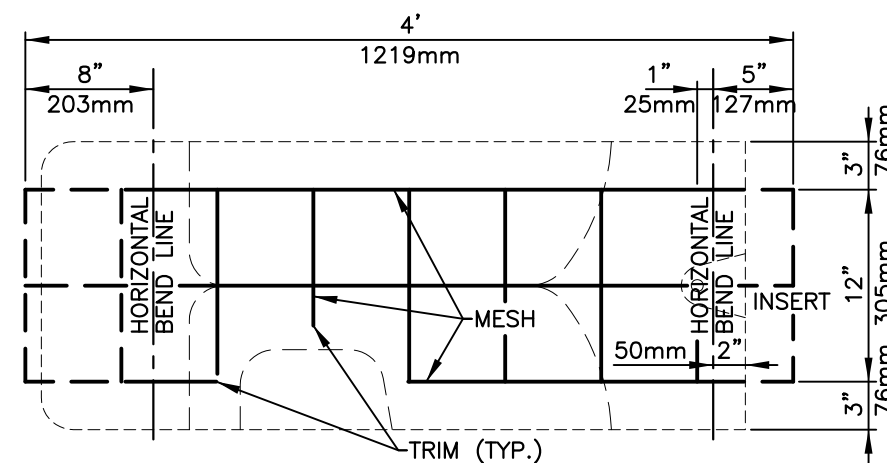
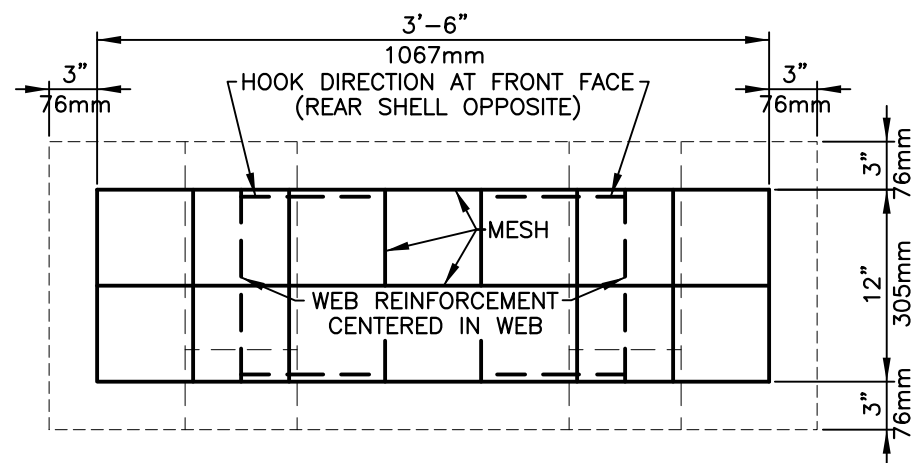
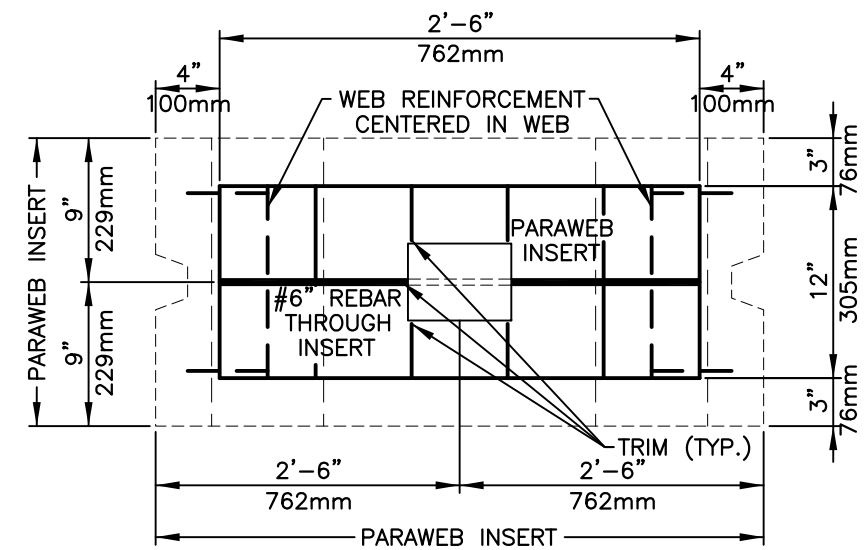
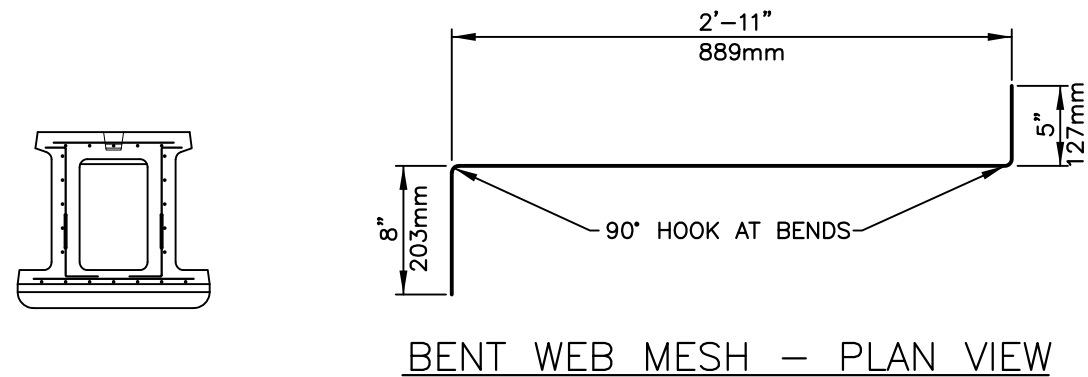
These typical details are preliminary and conceptual in nature. They are provided for general information purposes only. Anyone making use of these details and related information does so at their own risk and assumes all liability for such use. Site specific design should be performed by a licensed Professional Engineer who is familiar with the actual site conditions, materials, and local practices.

Thiele Geotech, Inc. and Stone Strong LLC are the authors of these drawings and retain all common law, statutory, and other reserved rights including the copyright. Limited license is granted to copy, reproduce, or modify the details to prepare construction drawings for Stone Strong retaining walls. Thiele Geotech, Inc. and Stone Strong LLC make no warranties, either expressed or implied, of merchantability or fitness for any particular purpose, and accept no responsibility for the accuracy, suitability, or completeness of information contained herein.

 www.stonestrong.com	PROJECT REINFORCING DETAILS STONE STRONG SYSTEMS
	DATE: 6/29/18 FILE: 11_6SF-P

NOTES:

1. ALL MESH SHALL BE W8xW8-6x6 WWF PER ASTM A185/A497/A1064, GRADE 65 U.N.O.
2. ALL #6 BARS SHALL BE GRADE 60.
3. USE IN PARAWEB MSE WALL BETWEEN 12 AND 51 FEET BELOW TOP OF WALL.




6SF HEAVY DUTY PARAWEB UNIT (6SF-HDP) - MESH OPTION

NOT TO SCALE

DISCLAIMER:

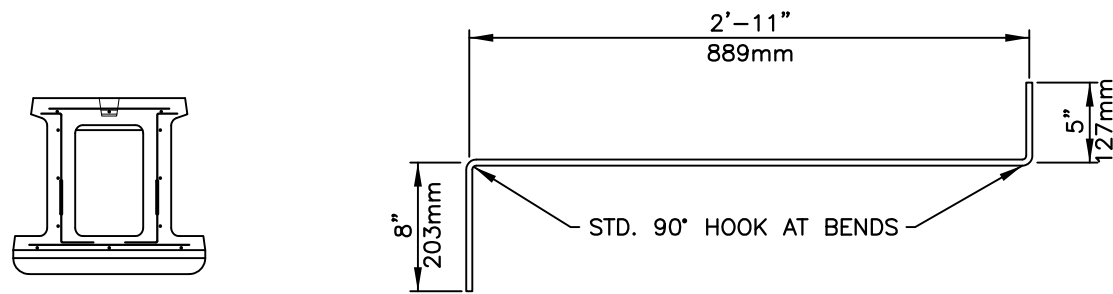
These typical details are preliminary and conceptual in nature. They are provided for general information purposes only. Anyone making use of these details and related information does so at their own risk and assumes all liability for such use. Site specific design should be performed by a licensed Professional Engineer who is familiar with the actual site conditions, materials, and local practices.

Thiele Geotech, Inc. and Stone Strong LLC are the authors of these drawings and retain all common law, statutory, and other reserved rights including the copyright. Limited license is granted to copy, reproduce, or modify the details to prepare construction drawings for Stone Strong retaining walls. Thiele Geotech, Inc. and Stone Strong LLC make no warranties, either expressed or implied, of merchantability or fitness for any particular purpose, and accept no responsibility for the accuracy, suitability, or completeness of information contained herein.

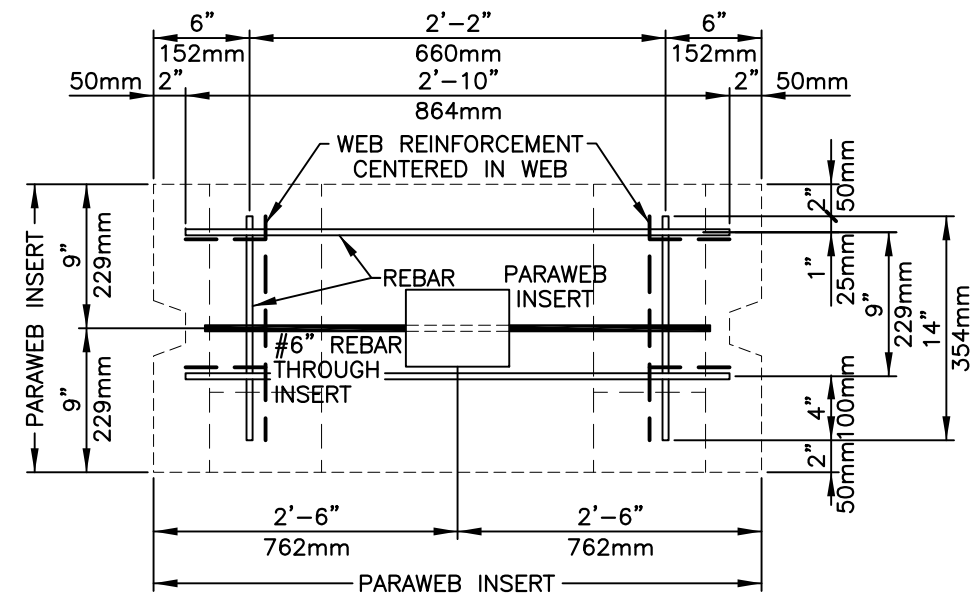
 www.stonestrong.com	PROJECT
	REINFORCING DETAILS STONE STRONG SYSTEMS
	DATE: 6/29/18 FILE: 12_6SF-HDP Mesh

NOTES:

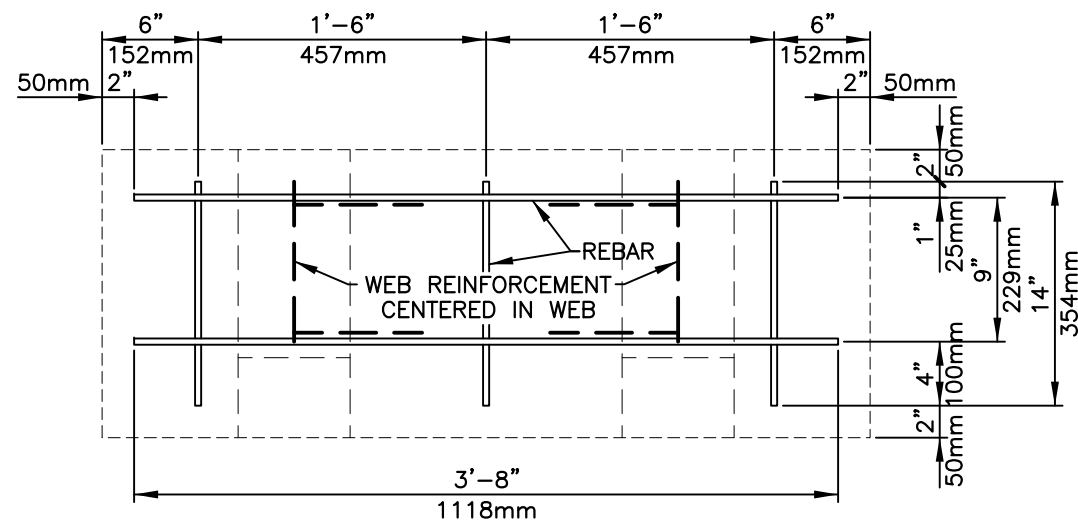
1. ALL STEEL SHALL BE #4 BARS, GRADE 60, U.N.O.
2. ALL #6 BARS SHALL BE GRADE 60.
3. USE IN PARAWEB MSE WALL BETWEEN 12 AND 51 FEET BELOW TOP OF WALL.



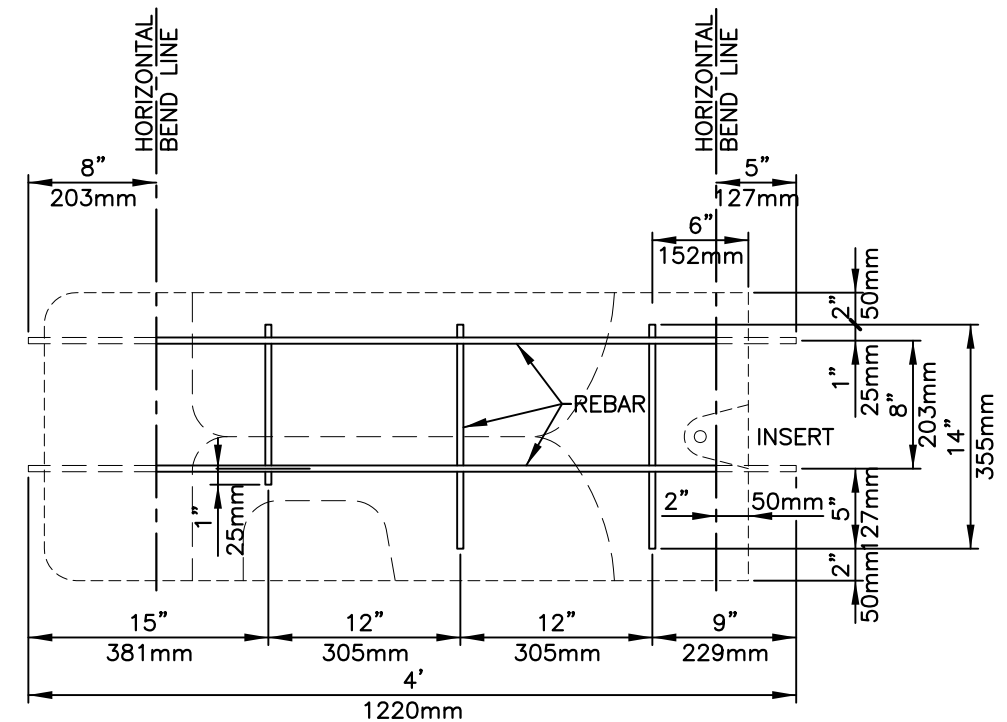
BENT WEB REBAR – PLAN VIEW



REAR SHELL REBAR



FRONT FACE REBAR



BENT WEB REBAR (2 REQUIRED)

6SF HEAVY DUTY PARAWEB UNIT (6SF-HDP) – REBAR OPTION

NOT TO SCALE

DISCLAIMER:

These typical details are preliminary and conceptual in nature. They are provided for general information purposes only. Anyone making use of these details and related information does so at their own risk and assumes all liability for such use. Site specific design should be performed by a licensed Professional Engineer who is familiar with the actual site conditions, materials, and local practices.

Thiele Geotech, Inc. and Stone Strong LLC are the authors of these drawings and retain all common law, statutory, and other reserved rights including the copyright. Limited license is granted to copy, reproduce, or modify the details to prepare construction drawings for Stone Strong retaining walls. Thiele Geotech, Inc. and Stone Strong LLC make no warranties, either expressed or implied, of merchantability or fitness for any particular purpose, and accept no responsibility for the accuracy, suitability, or completeness of information contained herein.



www.stonestrong.com

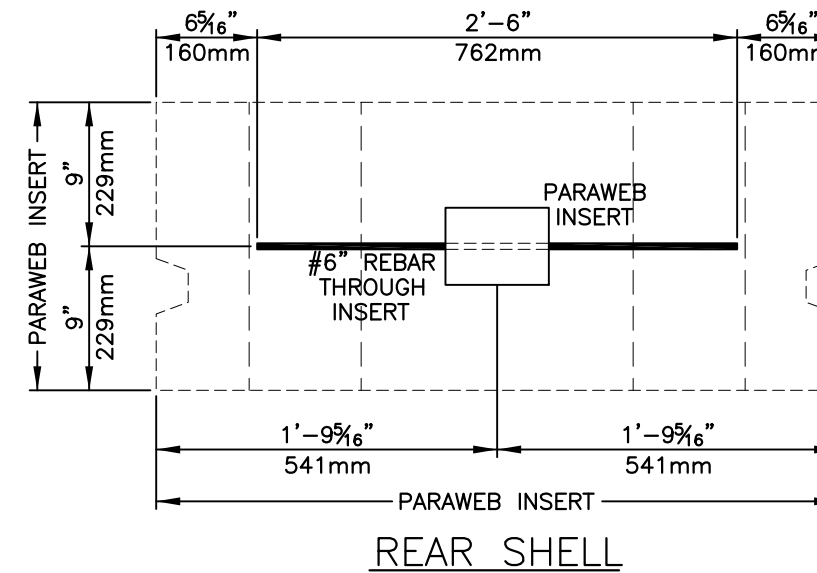
PROJECT

REINFORCING DETAILS
STONE STRONG SYSTEMS

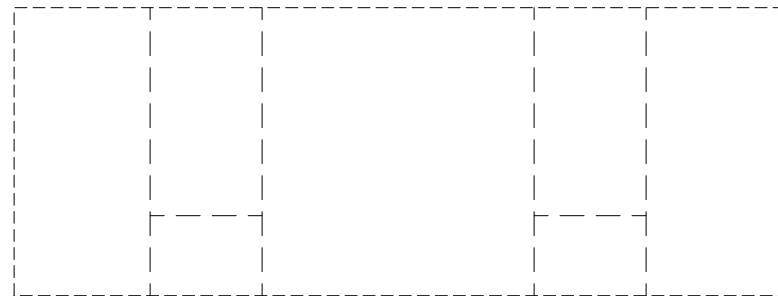
DATE: 6/29/18 FILE: 13_6SF-HDP Rebar

NOTES:

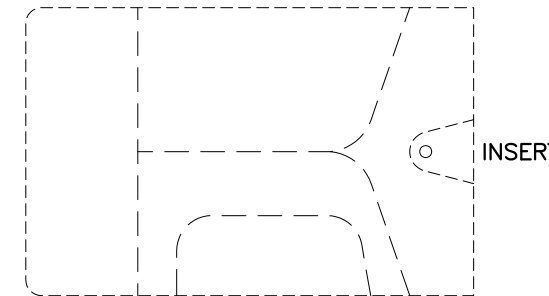
1. ALL #6 BARS SHALL BE GRADE 60.
2. USE IN PARAWEB MSE WALL IN TOP 12 FEET ONLY.



REAR SHELL



FRONT FACE



SIDE ELEVATION


6-28 PARAWEB UNIT (6-28-P)

NOT TO SCALE

DISCLAIMER:

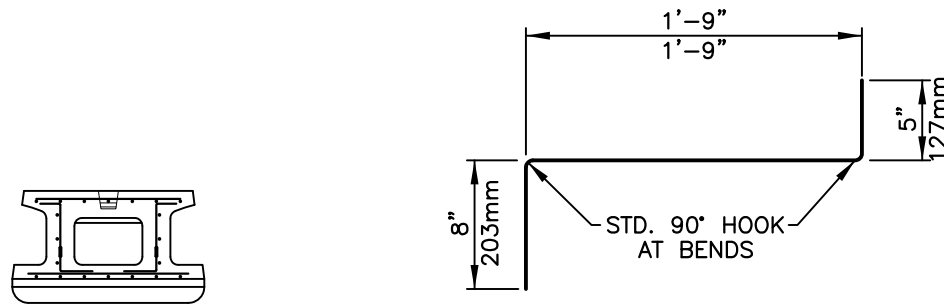
These typical details are preliminary and conceptual in nature. They are provided for general information purposes only. Anyone making use of these details and related information does so at their own risk and assumes all liability for such use. Site specific design should be performed by a licensed Professional Engineer who is familiar with the actual site conditions, materials, and local practices.

Thiele Geotech, Inc. and Stone Strong LLC are the authors of these drawings and retain all common law, statutory, and other reserved rights including the copyright. Limited license is granted to copy, reproduce, or modify the details to prepare construction drawings for Stone Strong retaining walls. Thiele Geotech, Inc. and Stone Strong LLC make no warranties, either expressed or implied, of merchantability or fitness for any particular purpose, and accept no responsibility for the accuracy, suitability, or completeness of information contained herein.

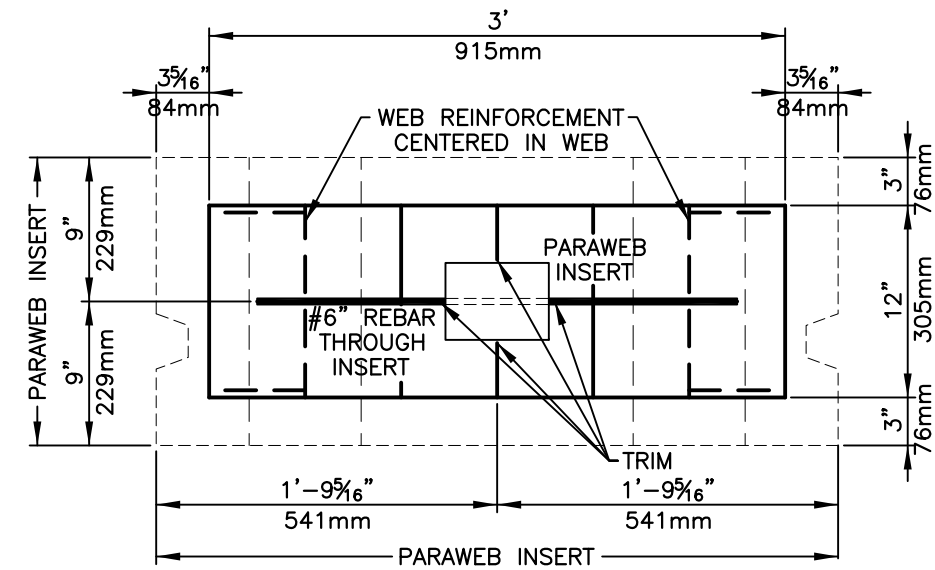
 www.stonestrong.com	PROJECT REINFORCING DETAILS STONE STRONG SYSTEMS
	DATE: 6/29/18 FILE: 14_6-28-P

NOTES:

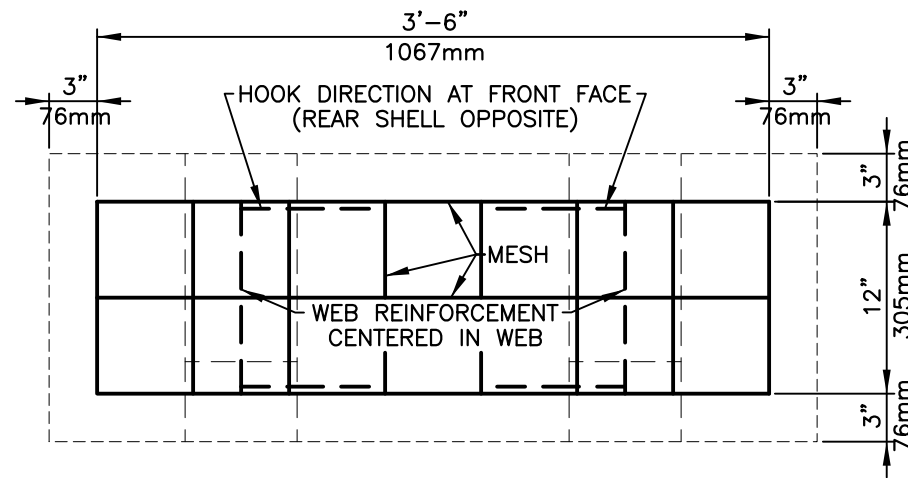
1. ALL MESH SHALL BE W8xW8-6x6 WWF PER ASTM A185/A497/A1064, GRADE 65 U.N.O.
2. ALL #6 BARS SHALL BE GRADE 60.
3. USE IN PARAWEB MSE WALL BETWEEN 12 AND 51 FEET BELOW TOP OF WALL.



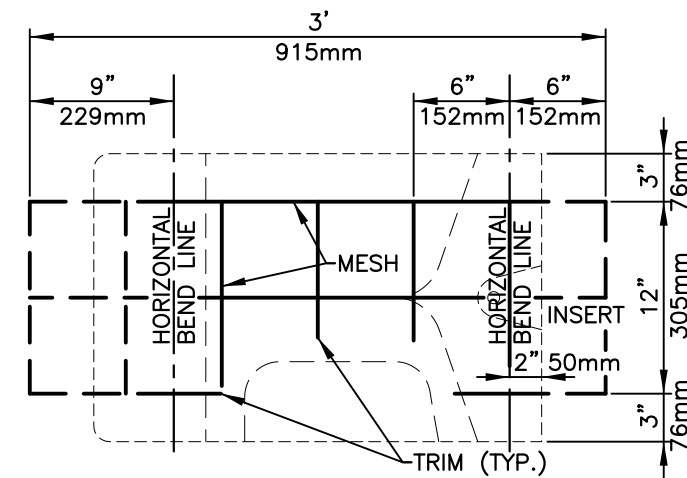
BENT WEB MESH - PLAN VIEW



REAR SHELL MESH



FRONT FACE MESH



BENT WEB MESH (2 REQUIRED)


6-28 HEAVY DUTY PARAWEB UNIT (6-28-HDP) - MESH OPTION

NOT TO SCALE

DISCLAIMER:

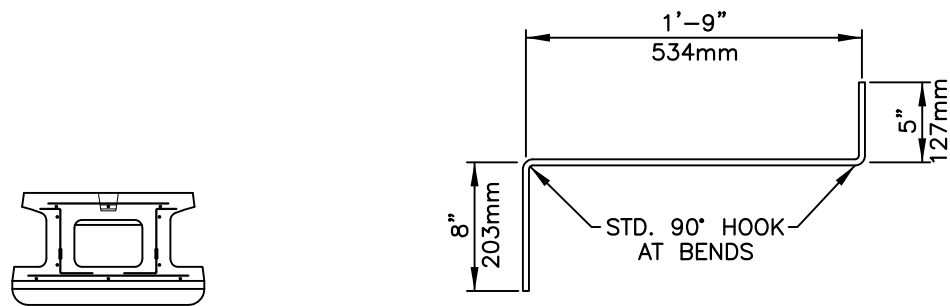
These typical details are preliminary and conceptual in nature. They are provided for general information purposes only. Anyone making use of these details and related information does so at their own risk and assumes all liability for such use. Site specific design should be performed by a licensed Professional Engineer who is familiar with the actual site conditions, materials, and local practices.

Thiele Geotech, Inc. and Stone Strong LLC are the authors of these drawings and retain all common law, statutory, and other reserved rights including the copyright. Limited license is granted to copy, reproduce, or modify the details to prepare construction drawings for Stone Strong retaining walls. Thiele Geotech, Inc. and Stone Strong LLC make no warranties, either expressed or implied, of merchantability or fitness for any particular purpose, and accept no responsibility for the accuracy, suitability, or completeness of information contained herein.

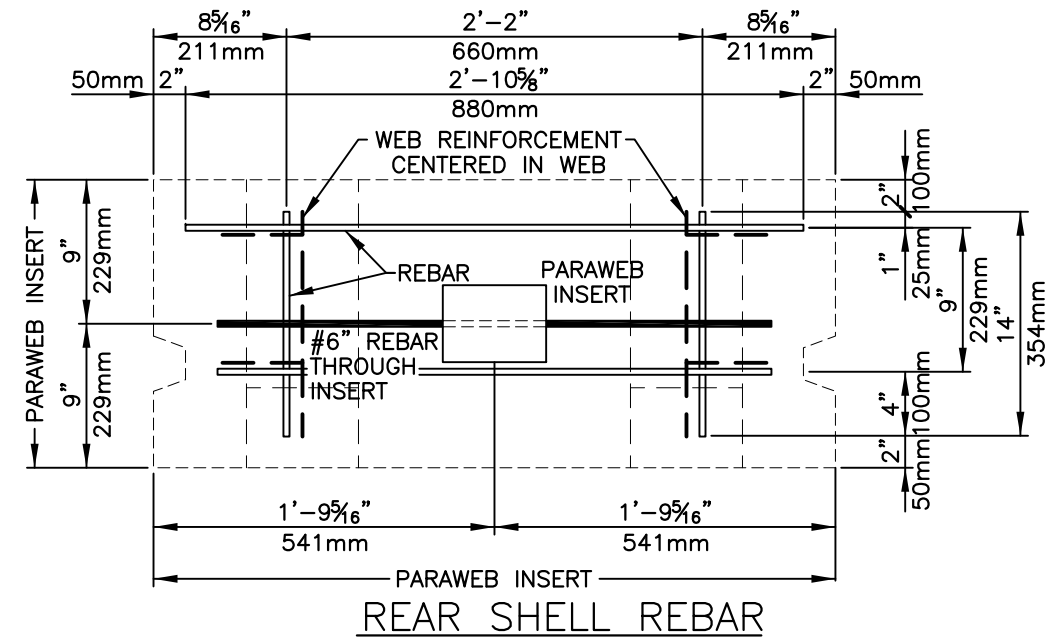
 www.stonestrong.com	PROJECT REINFORCING DETAILS STONE STRONG SYSTEMS
	DATE: 6/29/18 FILE: 15_6-28-HDP Mesh

NOTES:

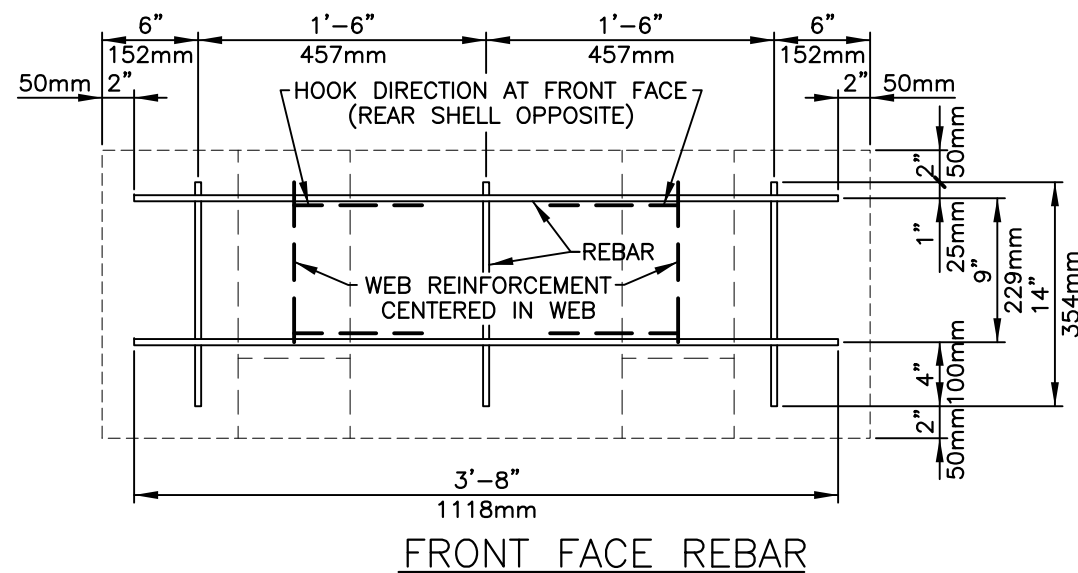
1. ALL STEEL SHALL BE #4 BARS, GRADE 60, U.N.O.
2. ALL #6 BARS SHALL BE GRADE 60.
3. USE IN PARAWEB MSE WALL BETWEEN 12 AND 51 FEET BELOW TOP OF WALL.



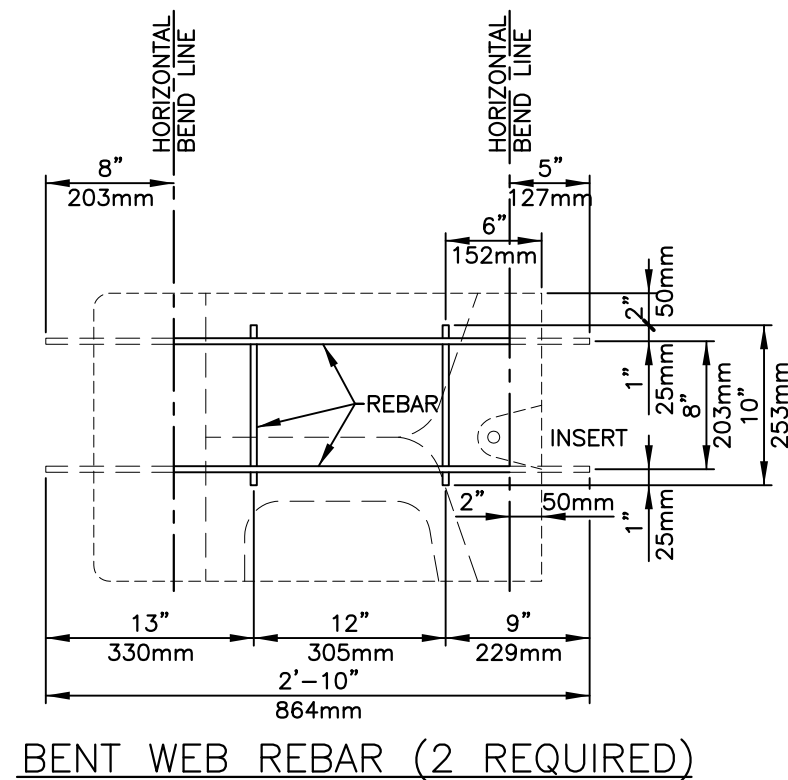
BENT WEB REBAR – PLAN VIEW



REAR SHELL REBAR



FRONT FACE REBAR



BENT WEB REBAR (2 REQUIRED)

6-28 HEAVY DUTY PARAWEB UNIT (6-28-HDP) – REBAR OPTION

NOT TO SCALE

DISCLAIMER:

These typical details are preliminary and conceptual in nature. They are provided for general information purposes only. Anyone making use of these details and related information does so at their own risk and assumes all liability for such use. Site specific design should be performed by a licensed Professional Engineer who is familiar with the actual site conditions, materials, and local practices.

Thiele Geotech, Inc. and Stone Strong LLC are the authors of these drawings and retain all common law, statutory, and other reserved rights including the copyright. Limited license is granted to copy, reproduce, or modify the details to prepare construction drawings for Stone Strong retaining walls. Thiele Geotech, Inc. and Stone Strong LLC make no warranties, either expressed or implied, of merchantability or fitness for any particular purpose, and accept no responsibility for the accuracy, suitability, or completeness of information contained herein.



www.stonestrong.com

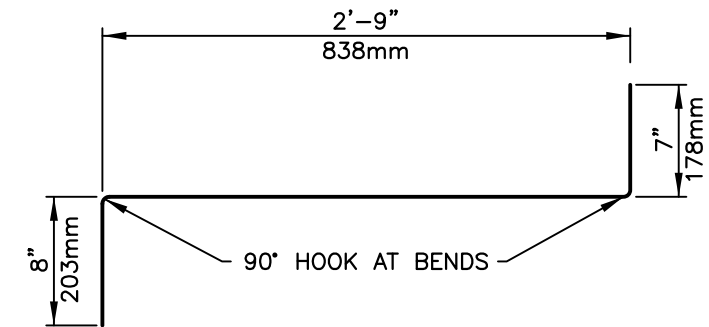
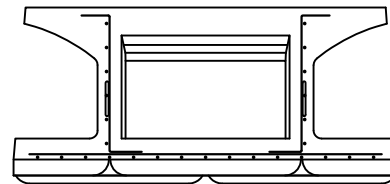
PROJECT

REINFORCING DETAILS
STONE STRONG SYSTEMS

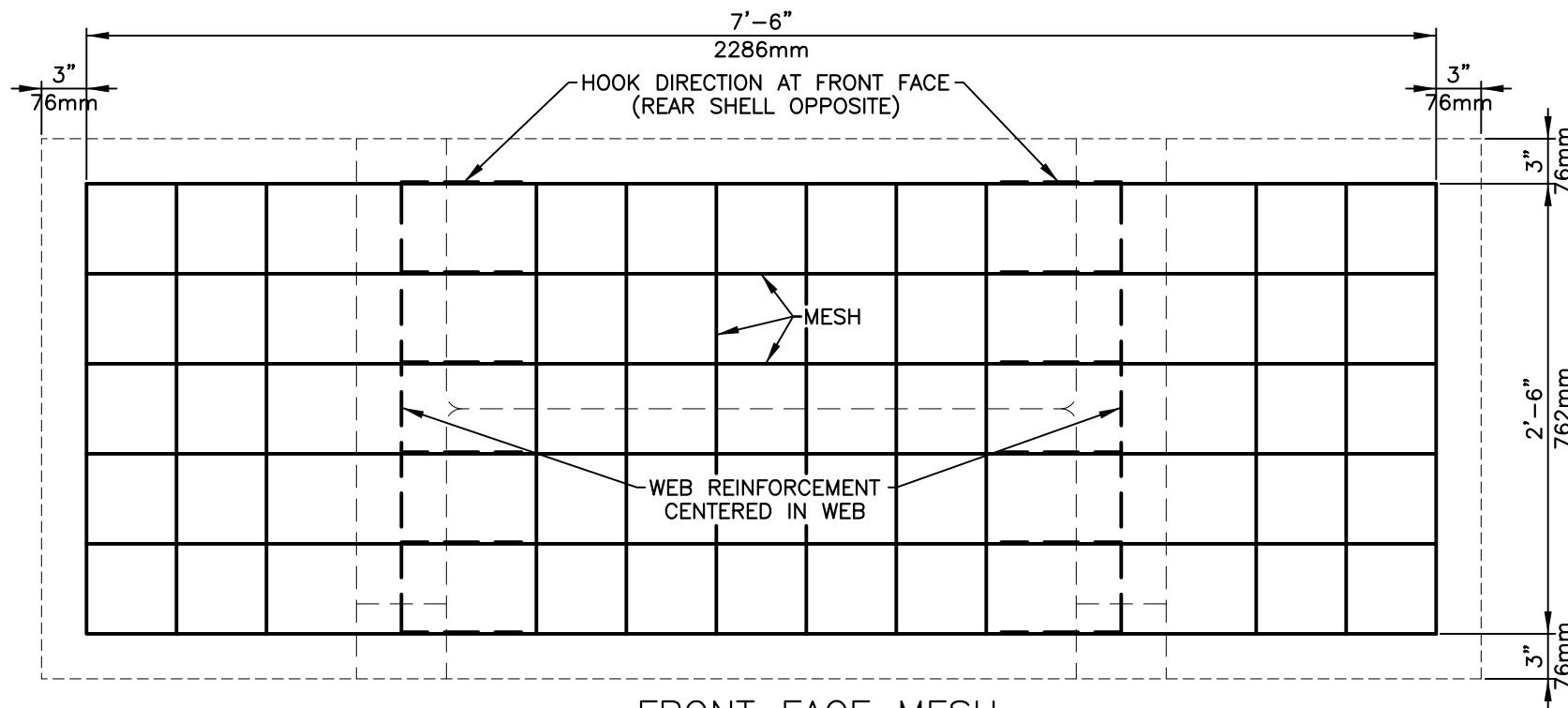
DATE: 6/29/18 FILE: 16_6-28-HDP Rebar

NOTES:

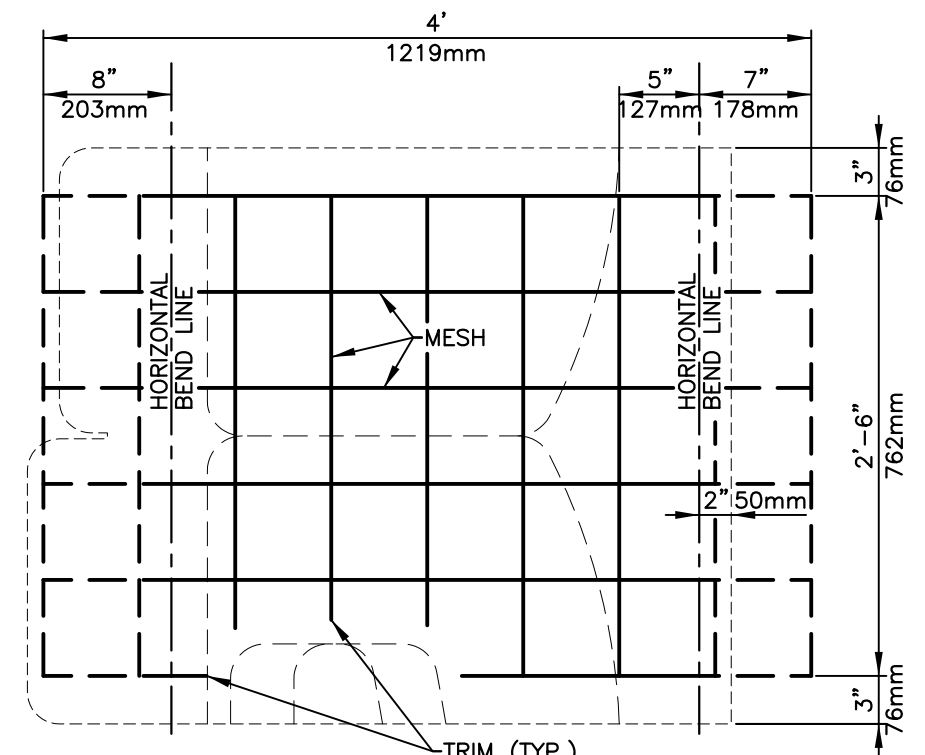
1. ALL MESH SHALL BE W8xW8-6x6 WWF PER ASTM A185/A497/A1064, GRADE 65 U.N.O.
2. USE IN GEOGRID MSE WALLS BETWEEN 12 AND 30 FEET BELOW TOP OF WALL.



BENT WEB MESH – PLAN VIEW



FRONT FACE MESH



BENT WEB MESH (2 REQUIRED)

24SF REINFORCED UNIT (24SF-R) – MESH OPTION

NOT TO SCALE

DISCLAIMER:

These typical details are preliminary and conceptual in nature. They are provided for general information purposes only. Anyone making use of these details and related information does so at their own risk and assumes all liability for such use. Site specific design should be performed by a licensed Professional Engineer who is familiar with the actual site conditions, materials, and local practices.

Thiele Geotech, Inc. and Stone Strong LLC are the authors of these drawings and retain all common law, statutory, and other reserved rights including the copyright. Limited license is granted to copy, reproduce, or modify the details to prepare construction drawings for Stone Strong retaining walls. Thiele Geotech, Inc. and Stone Strong LLC make no warranties, either expressed or implied, of merchantability or fitness for any particular purpose, and accept no responsibility for the accuracy, suitability, or completeness of information contained herein.



www.stonestrong.com

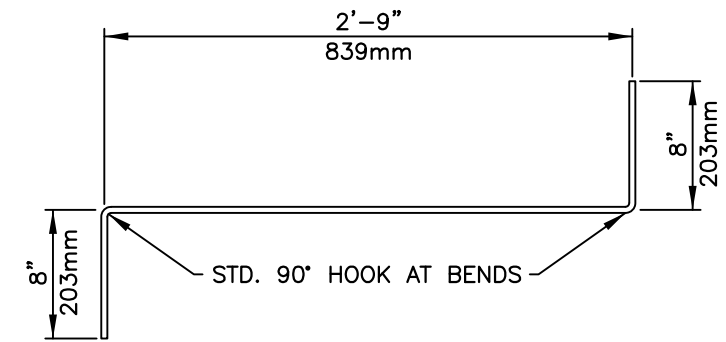
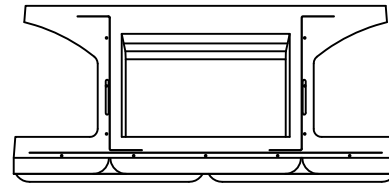
PROJECT

REINFORCING DETAILS
STONE STRONG SYSTEMS

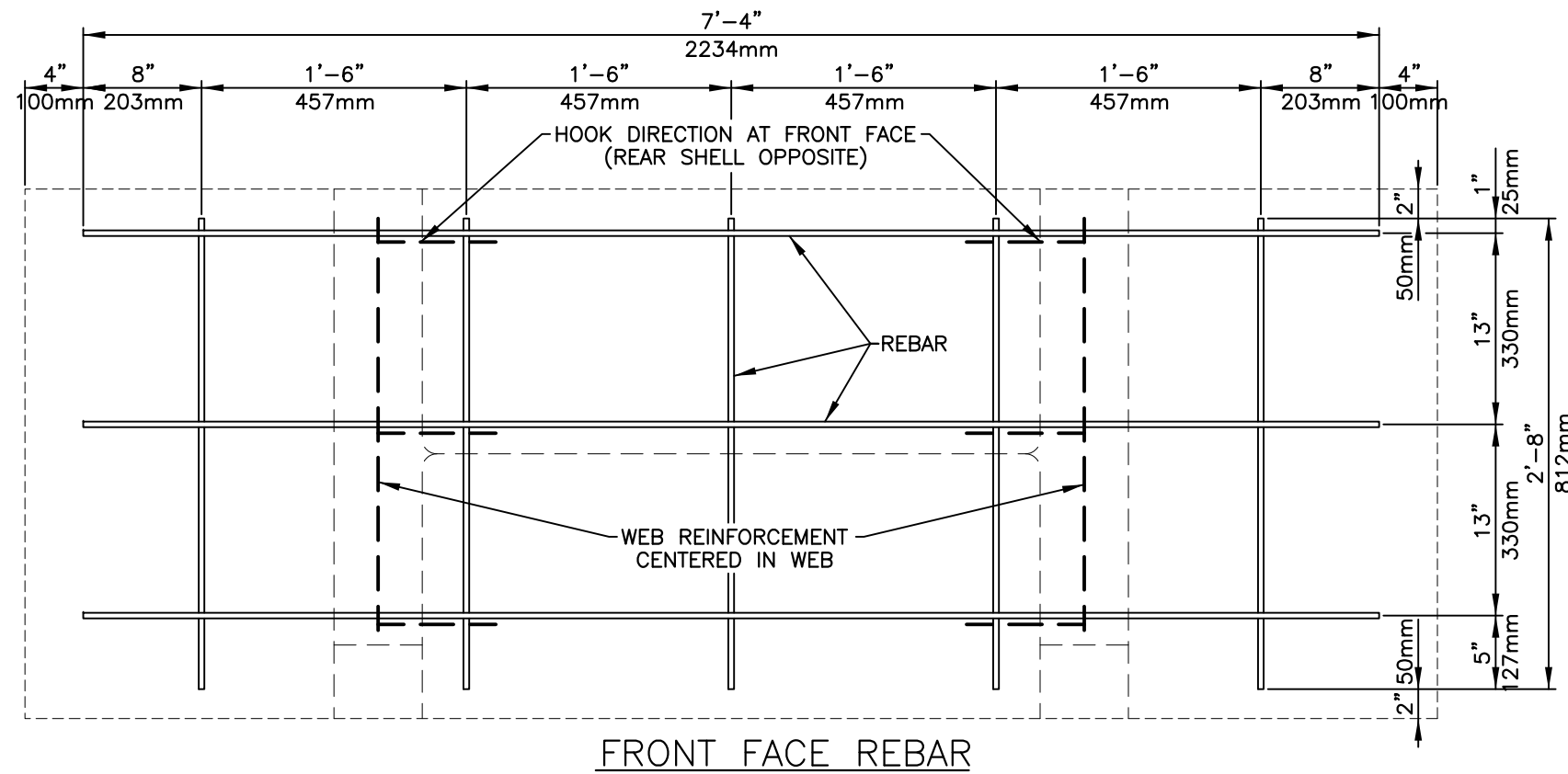
DATE: 6/29/18 FILE: 17_24SF-R Mesh

NOTES:

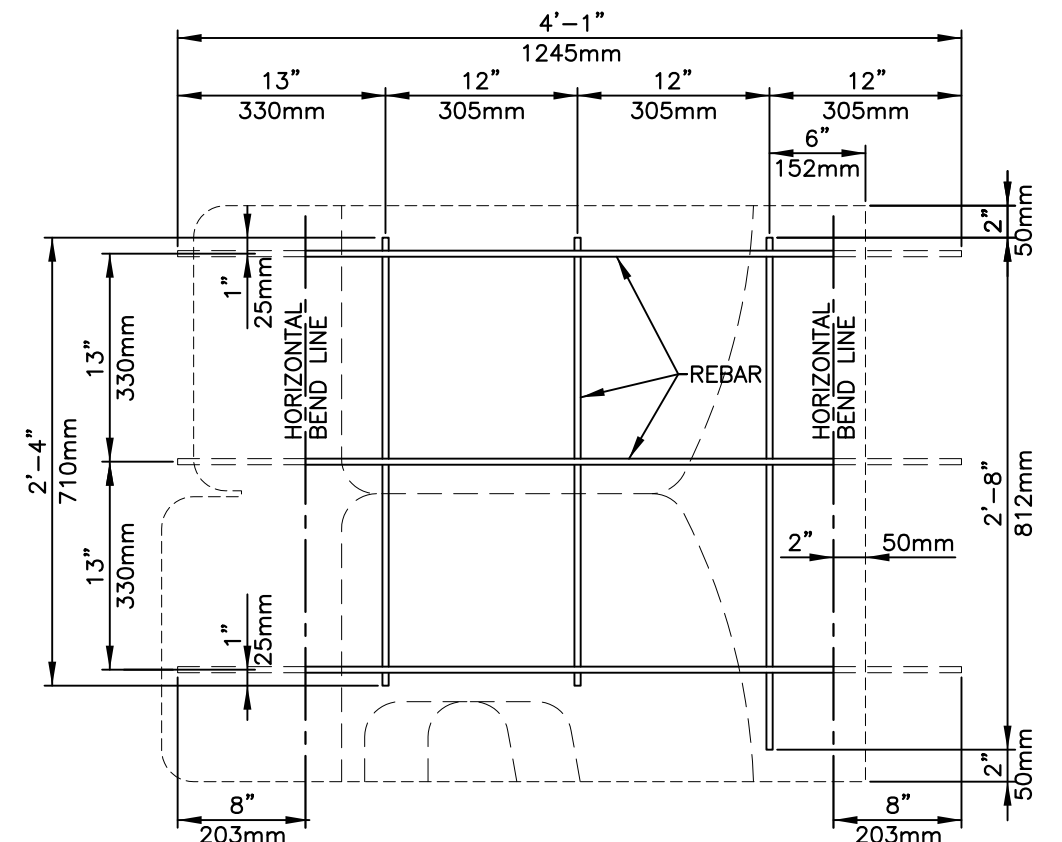
1. ALL STEEL SHALL BE #4 BARS, GRADE 60, U.N.O.
2. USE IN GEOGRID MSE WALLS BETWEEN 12 AND 30 FEET BELOW TOP OF WALL.



BENT WEB REBAR – PLAN VIEW



FRONT FACE REBAR



BENT WEB REBAR (2 REQUIRED)


24SF REINFORCED UNIT (24SF-R) – REBAR OPTION

NOT TO SCALE

DISCLAIMER:

These typical details are preliminary and conceptual in nature. They are provided for general information purposes only. Anyone making use of these details and related information does so at their own risk and assumes all liability for such use. Site specific design should be performed by a licensed Professional Engineer who is familiar with the actual site conditions, materials, and local practices.

Thiele Geotech, Inc. and Stone Strong LLC are the authors of these drawings and retain all common law, statutory, and other reserved rights including the copyright. Limited license is granted to copy, reproduce, or modify the details to prepare construction drawings for Stone Strong retaining walls. Thiele Geotech, Inc. and Stone Strong LLC make no warranties, either expressed or implied, of merchantability or fitness for any particular purpose, and accept no responsibility for the accuracy, suitability, or completeness of information contained herein.

 www.stonestrong.com	PROJECT
	REINFORCING DETAILS STONE STRONG SYSTEMS
	DATE: 6/29/18 FILE: 18_24SF-R Rebar